



SANTA & COLE

2019 Price List

Dear friends,

We are pleased to present you our 2019 price list, which comes into force on January 1st 2019. We hope you find it quick and easy to use.

All of the new catalogue entries, including new products, materials, sizes and finishes, are highlighted in the contents page to make them easier to find.

We remind you that Santa & Cole also offers the possibility to adapt our products in order to meet the needs of specific projects (Contract). A consultation and prior technical study will be necessary. We are offering a selection of products with a Contract version (specified in this price list) ensuring durability for public use in projects.

Regarding upholstery we have four Kvadrat samplers (HARALD 3 –by Raf Simons, STAR 2, TONUS MEADOW and HERO), as well as your choice of fabric, and we also offer personal advice.

Please visit santacole.com for all technical details. An image gallery with high-resolution photos of the products in our catalogue can also be found on our website.

Santa & Cole reserves the right to change the prices in this price list without prior notice.

Santa & Cole's team is available for any queries you may have. You can phone us on +34 938 619 100 or write to us at info@santacole.com

We thank you for your kind cooperation, and we remain at your disposal.

Barcelona, December 2018

Contents

7 Lighting

8 Table lamps

- 8 Americana
- 8 Asa
- 9 Babel
- 10 Básica M1
- 11 Básica M2
- 12 Básica Mínima
- 13 BlancoWhite C1
- 13 BlancoWhite R3
- 13 BlancoWhite R1 Rotating
- 14 Cesta
- 14 Cestita
- 15 Cestita Batería
- 16 Cesta Metálica
- 17 Cestita Metálica
- 18 Diana Menor
- 19 Diana
- 20 FAD Menor **New size**
- 20 FAD
- 21 Gira
- 21 Maija 15
- 22 Moragas
- 23 Sin S
- 23 Sin L
- 24 Tatu **New Product**
- 25 TMD
- 26 Trípode M3
- 27 Trípode G6

28 Floor lamps

- 28 AJ Royal
- 29 Americana
- 30 Diana
- 31 Diana Mayor
- 32 Dórica
- 33 FAD
- 33 GATCPAC
- 34 Maija 30
- 35 Moaré
- 36 Pie de Salón G1
- 37 Pie de Salón G2
- 38 Pie de Salón G3
- 39 TMC
- 40 TMD
- 41 TMM
- 42 Trípode G5

43 Pendant lamps

- 43 Arne Domus
- 43 Arne S Domus **New Product**
- 44 BlancoWhite D1 ceiling / D1 ceiling Up&Down
- 45 BlancoWhite D2 ceiling / D2 ceiling Up&Down
- 46 BlancoWhite R3
- 47 BlancoWhite Golden Gate
- 48 Cirio Simple
- 49 Cirio Múltiple
- 50 Cirio Cascada 5
- 51 Cirio Cascada 7
- 52 Cirio Cascada 9
- 53 Cirio Cascada 12
- 54 Cirio Circular S
- 55 Cirio Circular M
- 56 Cirio Circular L
- 58 Cirio Oval
- 60 Cirio Lineal
- 62 Cirio Chandelier S
- 64 Cirio Chandelier M
- 66 Cirio Chandelier L
- 68 Estadio 105 1 support
- 68 Estadio 105 3 supports
- 69 Estadio 150 1 support
- 69 Estadio 150 3 supports
- 70 Estadio 250 1 support
- 70 Estadio 250 3 supports
- 71 Línea Estadio
- 72 Globo Cesta **New Product**
- 73 Globo Cestita **New Product**
- 74 GT4
- 75 GT5
- 76 GT6
- 77 GT7
- 78 GT1000
- 79 GT1500
- 80 HeadHat Bowl S
- 81 HeadHat Bowl L
- 82 HeadHat Plate S
- 83 HeadHat Plate M
- 84 HeadHat Plate L
- 85 La Colilla
- 86 Lámina 45 **New Product**
- 87 Lámina 45 System **New Product**
- 88 Lámina 85 **New Product**
- 89 Lámina 85 System **New Product**
- 90 Lámina 165 **New Product**
- 91 Lámina Mayor **New Product**
- 92 Leonardo 60
- 92 Leonardo 100
- 93 Liceo 70
- 93 Liceo 120

94 M64
95 M68
96 Majja 15
96 Majja 30
97 Moaré
98 Moaré Liviana S
99 Moaré Liviana M
99 Nagoya
100 Nimba 60
100 Nimba 90
101 Nimba 120
101 Nimba 180
102 Sexta
103 Sexta 12
104 Sistema Fonda
106 Sistema Gran Fonda
108 Sistema Sisisí PT1
109 Sistema Sisisí PT2
110 Sistema Sisisí MT1
111 Sistema Sisisí MT2
112 Sistema Sisisí GT1
113 Sistema Sisisí GT2
114 Sistema Sisisí GT3
115 Tekiò Vertical P1 **New Product**
115 Tekiò Vertical P2 **New Product**
116 Tekiò Vertical P3 **New Product**
116 Tekiò Vertical P4 **New Product**
117 Tekiò Horizontal P1 **New Product**
118 Tekiò Horizontal P2 **New Product**
119 Tekiò Horizontal P3 **New Product**
120 Tekiò Horizontal P4 **New Product**
121 Tekiò Circular P8 **New Product**
122 Tekiò Oval P12 **New Product**
123 Vaghe Stelle

124 Canopies

124 Sisisí canopy
124 Sisisí canopy dual lamp socket
125 S&C canopy
125 S&C Connection
125 Side entry adaptor
126 HeadLed System / S&C LED Capsule
126 HeadLed System / S&C LED Canopy
127 Headled System / S&C LED Lampshades

128 Wall lamps

128 Aarhus
128 Americana
129 BC1
130 BC2
131 BC3

132 BlancoWhite C1 Wall rotating
132 BlancoWhite C1 Wall rotating scene
133 BlancoWhite R1 Wall
133 BlancoWhite R1 Wall rotating
134 Comodín cuadrado
135 Comodín rectangular
136 Corso
137 Disco M
137 Disco L
138 Estadio
139 Singular
140 TMM corto
140 TMM largo
141 TMM Metálico
141 Wally

143 Garden

144 Amigo
145 Oco 33
145 Oco 55

147 Light sources

157 Furniture

158 Chairs, armchairs, sofas and ottomans

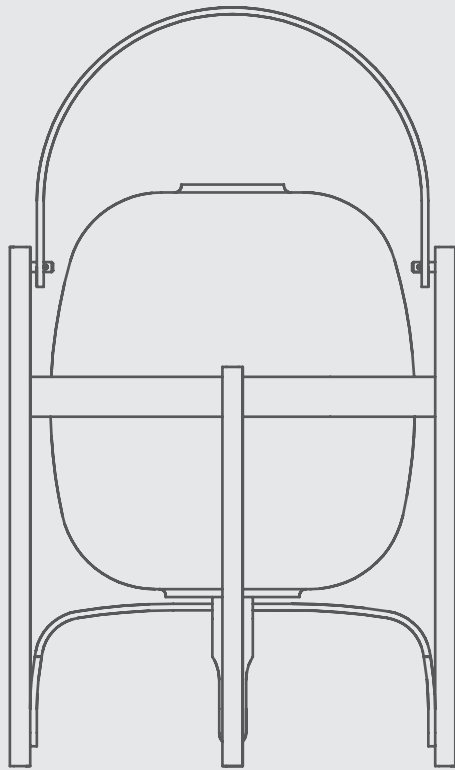
158 Belloch Chair
158 Ramón Chair
159 Digamma Armchair
159 Digamma ottoman
160 Cadaqués Lounge Chair
160 Two Seat Cadaqués Sofa
160 Three Seat Cadaqués Sofa
161 Cadaqués Ottoman
161 Ibiza Lounge Chair
162 Moragas Armchair
162 Moragas ottoman
162 Large Moragas ottoman

163 Tables

163 Belloch cuadrada
163 Belloch rectangular
164 Diana alta
164 Diana baja
164 Subeybaja

165 Shelves

165 Noa



Cesta

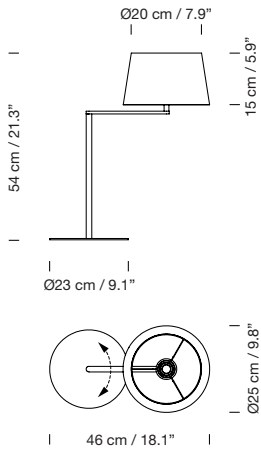
Miguel Milá. 1962

Lighting

Americana

Miguel Milá
1964

For further information on light sources go to p. 148



Composition

SAM22 + SAMP8 385 €

Code	Description	
SAM22	Satin nickel structure	320 €
SAMP8	White linen lampshade	65 €

Light source		
6BOM45	LED bulb 6 W - 2.700 K	10 €

Rotating arm.



Bulb socket:

E27 (Max. hgt. 105 mm / 4.1")

Recommended light source:

LED bulb 6 W

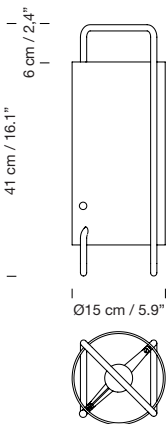
Other light sources:

Max. 60 W

Asa

Miguel Milá
1961

For further information on light sources go to p. 148



Code	Structure	
ASA11	White	305 €
ASA12	Black	305 €

Light source		
6BOM45	LED bulb 6 W - 2.700 K	10 €

Metallic structure with matte finish.
White translucent methacrylate shade.



Bulb socket:

E27 (Max. hgt. 105 mm / 4.1")

Recommended light source:

LED bulb 6 W

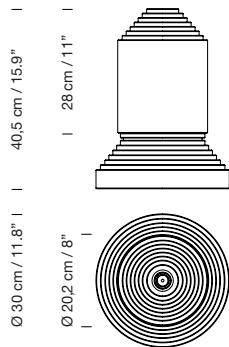
Other light sources:

Max. 60 W

Babel

Àngel Jové
1971

For further information on light sources go to p. 148



Code	Description	
BAB01	Alabaster column	700 €
Light source (dimmable)		
6BOM40	LED bulb 10 W - 2.700 K	15 €

Dimmer included.



Bulb socket:

E27 (Max. hgt. 115 mm / 4.5")

Recommended light source (dimmable):

LED bulb 10 W

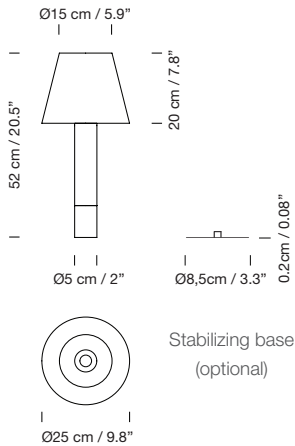
Other light sources:

Max. 60 W

Básica M1

Santiago Roqueta,
Santa & Cole Team
1987

For further information on light sources go to p. 148



Examples of composition

BASAx* + PM101	265 €
BASAx* + PM103	260 €
BASAx* + PM109	275 €
BASAx* + PML108	290 €
BASAx* + PM101 + 6BAS0x**	305 €
BASAx* + PM103 + 6BAS0x**	300 €
BASAx* + PM109 + 6BAS0x**	315 €
BASAx* + PML108 + 6BAS0x**	330 €

Code	Lampshade	
PM101	Stitched beige parchment	65 €
PM103	Natural ribbon	60 €
PM105	Red-amber ribbon	60 €
PM106	Black ribbon	60 €
PM107	Terracotta Raw Color ribbon	75 €
PM108	Mustard Raw Color ribbon	75 €
PM109	Green Raw Color ribbon	75 €
PML108	White linen	90 €

Base		
*BASA2	Nickel	200 €
*BASA3	Bronze	200 €

Stabilizing base (optional)		
**6BAS01	Nickel	40 €
**6BAS02	Bronze	40 €

Light source (dimmable)		
6BOM40	LED bulb 10 W - 2.700 K	15 €

Birch wood column with metallic base.
Dimmer included.



Bulb socket:

E27 (Max. hgt. 115 mm / 4.5")

Recommended light source (dimmable):

LED bulb 10 W

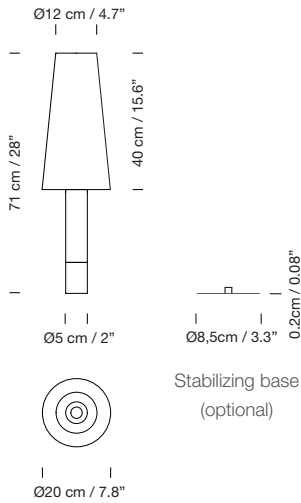
Other light sources:

Max. 100 W

Básica M2

Santiago Roqueta,
Santa & Cole Team
1987

For further information on light sources go to p. 148



Composition

BASAx* + PM201	275 €
BASAx* + PM201 + 6BAS0x**	315 €

Code	Lampshade	
PM201	Stitched beige parchment	75 €

Base		
*BASA2	Nickel	200 €
*BASA3	Bronze	200 €

Stabilizing base (optional)		
**6BAS01	Nickel	40 €
**6BAS02	Bronze	40 €

Light source (dimmable)		
6BOM40	LED bulb 10 W - 2.700 K	15 €

Birch wood column with metallic base.
Dimmer included.



Bulb socket:

E27 (Max. hgt. 115 mm / 4.5")

Recommended light source (dimmable):

LED bulb 10 W

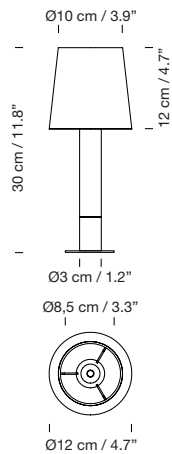
Other light sources:

Max. 100 W

Básica Mínima

Santiago Roqueta,
Santa & Cole Team
1994

For further information on light sources go to p. 148



Code	Base	Lampshade	
BAM01	Bronze	Beige parchment	225 €
BAM12	Nickel	Natural ribbon	225 €

Light source		
6BOM44	LED bulb 6 W - 2.700 K	10 €

Birch wood column with metallic base.
Metal disc Ø 8,5 cm / 3.3".



Contact us for further details on the specifics of product versions
for contract projects.

Bulb socket:

E14 (Max. hgt. 85 mm / 3.3")

Recommended light source:

LED bulb 6 W

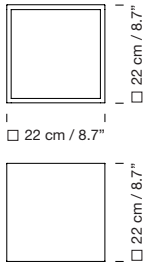
Other light sources:

Max. 40 W

BlancoWhite C1

Antoni Arola
2011

For further information on built-in LED go to p. 152



Code	Structure	
BWC101	White S&C	435 €
BWC102	Graphite	435 €

Metal structure with matte finish.
Dimmer included.

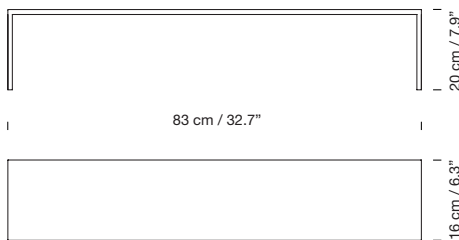
**Light source included (dimmable):**

Built-in LED 8 W

BlancoWhite R3

Antoni Arola
2011

For further information on built-in LED go to p. 152



Code	Structure	
BWR311	White S&C	790 €
BWR312	Graphite	790 €

Metal structure with matte finish.
Dimmer included.

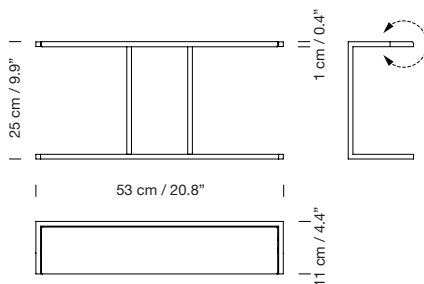
**Light source included (dimmable):**

Built-in LED 33 W

BlancoWhite R1 Rotating

Antoni Arola
2013

For further information on built-in LED go to p. 152



Code	Description	
BWR112	Graphite metal structure with matte finish	775 €

Rotating head.
Dimmer included.

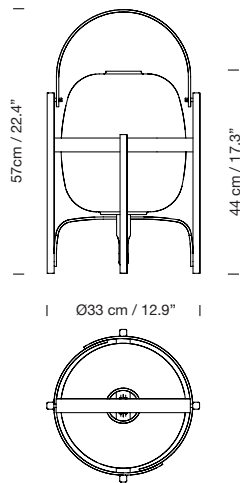
**Light source included (dimmable):**

Built-in LED 10 W

Cesta

Miguel Milá
1962

For further information on light sources go to p. 148



Code	Description	
CES01	Cherry wood structure White opal glass lampshade	620 €
Light source (dimmable)		
6BOM40	LED bulb 10 W - 2.700 K	15 €

Dimmer included.



Bulb socket:

E27 (Max. hgt. 130 mm / 5.1")

Recommended light source (dimmable):

LED bulb 10 W

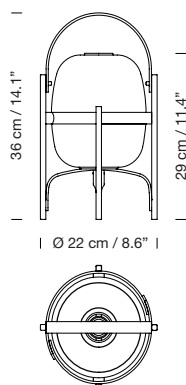
Other light sources:

Max. 75 W

Cestita

Miguel Milá
1962

For further information on light sources go to p. 148



Code	Lampshade	
CES11	White opal polyethylene	245 €
CES12	White opal glass	285 €
Light source		
6BOM45	LED bulb 6 W - 2.700 K	10 €

Sumatran pine wood structure.



Bulb socket:

E27 (Max. hgt. 105 mm / 4.1")

Recommended light source:

LED bulb 6 W

Other light sources:

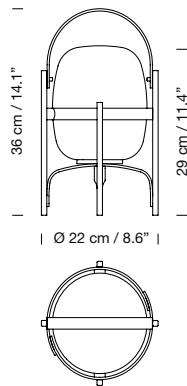
Max. 40 W

Maximum bulb diameter: 60 mm / 2.36"

Cestita Batería

Miguel Milá
2017

For further information on built-in LED go to p. 152



Code	Description	
CES14	Cherry wood structure White opal glass lampshade	395 €

Lithium battery.

Range:

- 5h on high power
- 15h on medium power
- 30h on low power



Minimum purchase 6 units.

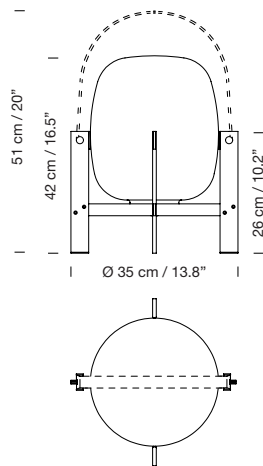
Light source included (dimmable):

Built-in LED 3 W

Cesta Metálica

Miguel Milá
1962

For further information on light sources go to p. 148



Code	Stainless steel structure	
CES02	Without leather handle	735 €
CES03	With natural colour leather handle	875 €
Light source (dimmable)		
6BOM40	LED bulb 10 W - 2.700 K	15 €

White opal glass lampshade.
Dimmer included.



Bulb socket:

E27 (Max. hgt. 130 mm / 5.1")

Recommended light source (dimmable):

LED bulb 10 W

Other light sources:

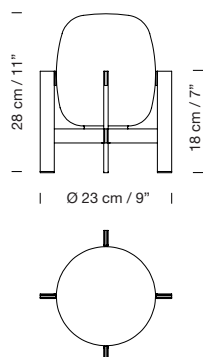
Max. 60 W

Cestita Metálica

Miguel Milá

1962

For further information on light sources go to p. 148



Code	Description	
CES13	Stainless steel structure. White opal glass lampshade	580 €
Light source (dimmable)		
6BOM45	LED bulb 6 W - 2.700 K	10 €

Dimmer included.

**Bulb socket:**

E27 (Max. hgt. 105 mm / 4.1")

Recommended light source (dimmable):

LED bulb 6 W

Other light sources:

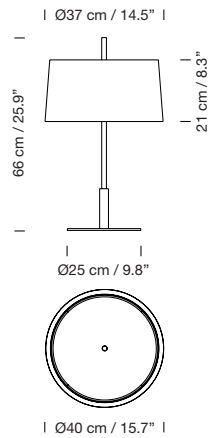
Max. 40 W

Maximum bulb diameter: 60 mm / 2.36"

Diana Menor

Federico Correa, Alfonso Milá,
Miguel Milá
1995

For further information on light sources go to p. 148



Examples of composition

DIA12 + DIAP8	545 €
DIA123 + DIAP6	585 €

Code	Metallic structure		
DIA12	Satin nickel		410 €
DIA123	Brass finish		440 €
	Lampshade	Upper diffuser ^[1]	
DIAP8	White linen	Translucent white parchment	135 €
DIAP6	Black linen	Stone parchment	145 €
	Light source (dimmable)		
6BOM45	LED bulb 6 W - 2.700 K		10 €

^[1] Upper diffuser for energy saving bulbs only (LED/compact fluorescent).
Dimmer included.



Bulb socket:

E27 (Max. hgt. 105 mm / 4.1")

Recommended light source (dimmable):

2 x LED bulb 6 W

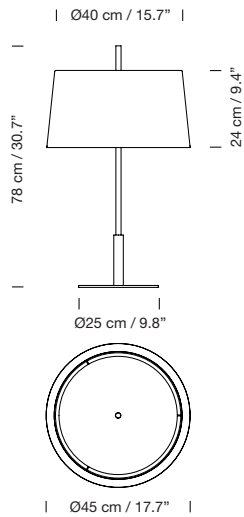
Other light sources:

Max. 2 x 40 W

Diana

Federico Correa, Alfonso Milá,
Miguel Milá
1995

For further information on light sources go to p. 148



Examples of composition

DIA11 + DIAM8	610 €
DIA113 + DIAM6	670 €

Code Metallic structure

DIA11	Satin nickel	460 €
DIA113	Brass finish	510 €

	Lampshade	Upper diffuser ^[1]	
DIAM8	White linen	Translucent white parchment	150 €
DIAM6	Black linen	Stone parchment	160 €

Light source (dimmable)

6BOM40	LED bulb 10 W - 2.700 K	15 €
---------------	-------------------------	-------------

^[1] Upper diffuser for energy saving bulbs only (LED/compact fluorescent).
Dimmer included.



Bulb socket:

E27 (Max. hgt. 130 mm / 5.1")

Recommended light source (dimmable):

2 x LED bulb 10 W

Other light sources:

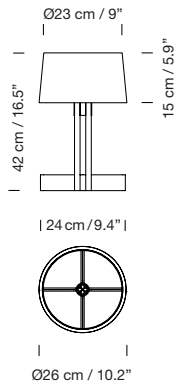
Max. 2 x 50 W

FAD Menor

Miguel Milá
2019

For further information on light sources go to p. 148

New size



Code	Description	
FAD02	Natural oak wood structure. White linen lampshade.	370 €
Light source		
6BOM45	LED bulb 6 W - 2.700 K	10 €



Bulb socket:

E27 (Max. Hgt. 105 mm / 4.1")

Recommended light source:

LED bulb: 6 W

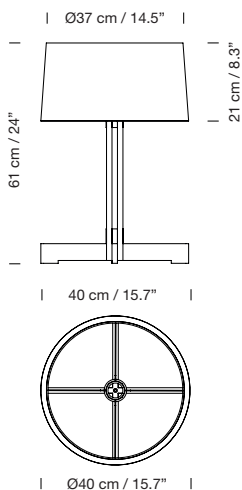
Other light sources:

Max. 100 W

FAD

Miguel Milá
1973

For further information on light sources go to p. 148



Composition		
FAD12 + FADP8		530 €
Code	Description	
FAD12	Natural oak wood structure	420 €
FADP8	White linen lampshade	110 €
Light source (dimmable)		
6BOM45	LED bulb 6 W - 2.700 K	10 €

Dimmer included.



Bulb socket:

E27 (Max. hgt. 105 mm / 4.1")

Recommended light source (dimmable):

LED bulb 6 W

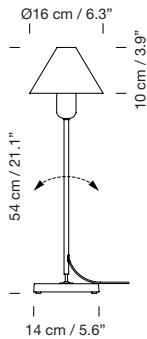
Other light sources:

Max. 100 W

Gira

J.M. Massana, J.M. Tremoleda,
Mariano Ferrer
1978

For further information on light sources go to p. 148



Code	Lampshade	
GIR21	Brass	325 €
GIR22	Black anodized aluminium	265 €
GIR23	Natural anodized aluminium	265 €

Chrome-plated structure.
Cast steel grey base.



Contact us for further details on the specifics of product versions
for contract projects.

Bulb socket:

E27 (Max. hgt. 110 mm / 4.3")

Light source included:

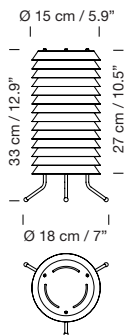
LED bulb 7.2 W

Maximum bulb diameter: 60 mm / 2.36"

Maija 15

Ilmari Tapiovaara
1955

For further information on built-in LED go to p. 152



Code	Metallic lampshades	
MAI11L	White	570 €
MAI114L	Nude rose	570 €

Diffuser in white translucent methacrylate.
Brass legs finished in matte.
Dimmer included.



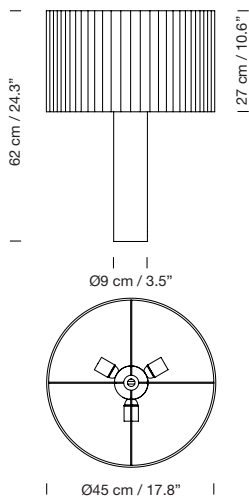
Light source included (dimmable):

Built-in LED 12 W

Moragas

Antoni de Moragas i Gallissà
1957

For further information on light sources go to p. 148



Composition

MOL01 + MOLP3 855 €

Code	Description	
MOL01	Sapele wood leg	510 €
MOLP3	Natural cotton ribbon lampshade with silk border	345 €

Light source (dimmable)		
6BOM45	LED bulb 6 W - 2.700 K	10 €

Dimmer included.



Bulb socket:

E27 (Max. hgt. 115 mm / 4.5")

Recommended light source (dimmable):

3 x LED bulb 6 W

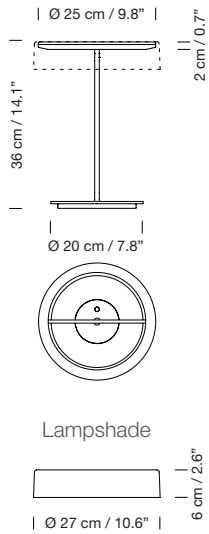
Other light sources:

Max. 3 x 30 W

Sin S

Antoni Arola
2013

For further information on built-in LED go to p. 152

**Examples of composition with lampshade**

SIN21 + SINS2	1.030 €
SIN22 + SINSx*	1.060 €

Code	Structure	
SIN21	White S&C	860 €
SIN22	Graphite	880 €
Lampshade (optional)		
SIN2	White opal methacrylate	170 €
*SINS1	White S&C aluminium	180 €
*SINS3	Graphite aluminium	180 €

Metal structure with matte finish.
Dimmer included.

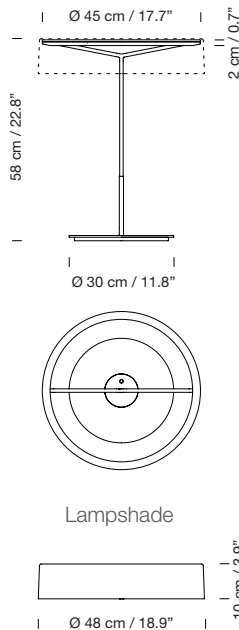
**Light source included (dimmable):**

Built-in LED 12,5 W

Sin L

Antoni Arola
2013

For further information on built-in LED go to p. 152

**Examples of composition with lampshade**

SIN31 + SINL2	1.180 €
SIN32 + SINLx*	1.295 €

Code	Structure	
SIN31	White S&C	985 €
SIN32	Graphite	1.005 €
Lampshade (optional)		
SINL2	White opal methacrylate	195 €
*SINL1	White S&C aluminium	290 €
*SINL3	Graphite aluminium	290 €

Metal structure with matte finish.
Dimmer included.

**Light source included (dimmable):**

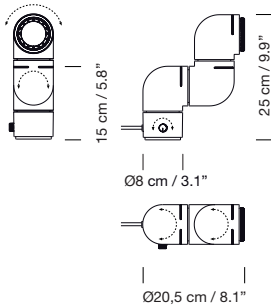
Built-in LED 25 W

Tatu

André Ricard
1972

For further information on built-in LED go to p. 152

New Product



Code	ABS plastic structure	
TAT02	S&C white	325 €
TAT05	Red	325 €

Rotatable structure.

Applications: table or wall lamp.

Adjustable focal length from 30° to 50°.

Adjustable light intensity 0% to 100%.

Dimmer and switch incorporated into the luminaire.

UL listing is in progress.



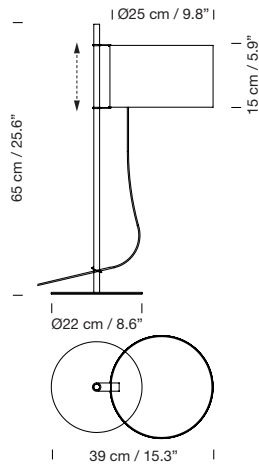
Light source included (dimmable):

Built-in LED: 6 W

TMD

Miguel Milá
1996

For further information on light sources go to p. 148



Code	Description	
TME08	Satin nickel structure White linen lampshade	345 €
Light source		
6BOM45	LED bulb 6 W - 2.700 K	10 €

Height-adjustable white linen lampshade.
The light is switched on/off by pulling lightly on the cable.



Contact us for further details on the specifics of product versions
for contract projects.

Bulb socket:

E27 (Max. hgt. 105 mm / 4.1")

Recommended light source:

LED bulb 6 W

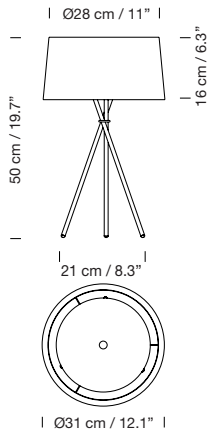
Other light sources:

Max. 60 W

Tripode M3

Santa & Cole Team
2011

For further information on light sources go to p. 148



Composition

TM311 + TM3Mx*	330 €
TM311 + TM3Mx**	340 €

Code Structure

TM311	Black metal	190 €
--------------	-------------	--------------

Ribbon lampshade

*TM3M3	Natural	140 €
*TM3M5	Red-amber	140 €
*TM3M6	Black	140 €
**TM3M7	Terracotta Raw Color	150 €
**TM3M8	Mustard Raw Color	150 €
**TM3M9	Green Raw Color	150 €

Light source

6BOM44	LED bulb 6 W - 2.700 K	10 €
---------------	------------------------	-------------

Black metal top cover.



Bulb socket:

E14 (Max. hgt. 85 mm / 3.3")

Recommended light source:

LED bulb 6 W

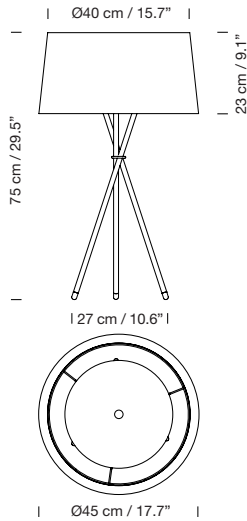
Other light sources:

Max. 40 W

Triode G6

Santa & Cole Team
2002

For further information on light sources go to p. 148



Composition

TG611 + TG6Mx*	400 €
TG611 + TG6Mx**	420 €

Code	Structure	
TG611	Black metal	220 €

Ribbon lampshade

*TG6M3	Natural	180 €
*TG6M5	Red-amber	180 €
*TG6M6	Black	180 €
**TG6M7	Terracotta Raw Color	200 €
**TG6M8	Mustard Raw Color	200 €
**TG6M9	Green Raw Color	200 €

Light source (dimmable)

6BOM40	LED bulb 10 W - 2.700 K	15 €
--------	-------------------------	------

Black metal top cover.

Dimmer included.



Bulb socket:

E27 (Max. hgt. 130 mm / 5.1")

Recommended light source (dimmable):

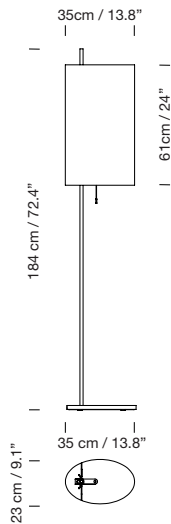
LED bulb 10 W

Other light sources:

Max. 100 W

AJ Royal
Arne Jacobsen
1956

For further information on light sources go to p. 148



Composition

JALB1 + JALP8 710 €

Code	Description	
JALB1	Stainless steel shaft and cast steel grey base	560 €
JALP8	White linen lampshade	150 €

Light source

6BOM40 LED bulb 10 W - 2.700 K 15 €

Double switch.

Contact us for further details on the specifics of product versions for contract projects.



Bulb socket:

E27 (Max. hgt. 130 mm / 5.1")

Recommended light source:

2 x LED bulb 10 W

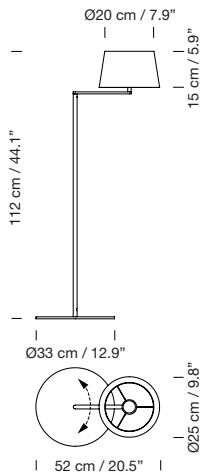
Other light sources:

Max. 2 x 100 W

Americana

Miguel Milá
2000

For further information on light sources go to p. 148



Composition

SAM32 + SAMP8 540 €

Code	Description	
SAM32	Satin nickel structure	475 €
SAMP8	White linen lampshade	65 €

Light source

6BOM45 LED bulb 6 W - 2.700 K 10 €

Rotating arm.



Bulb socket:

E27 (Max. hgt. 105 mm / 4.1")

Recommended light source:

LED bulb 6 W

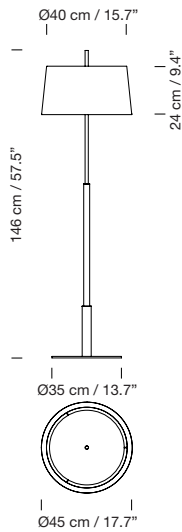
Other light sources:

Max. 60 W

Diana

Federico Correa, Alfonso Milá,
Miguel Milá
1995

For further information on light sources go to p. 148



Examples of composition

DIA21 + DIAM8	800 €
DIA213 + DIAM6	860 €

Code Metallic structure

DIA21	Satin nickel	650 €
DIA213	Brass finish	700 €

	Lampshade	Upper diffuser ^[1]	
DIAM8	White linen	Translucent white parchment	150 €
DIAM6	Black linen	Stone parchment	160 €

Light source (dimmable)

6BOM41	LED bulb 13,5 W - 2.700 K	30 €
---------------	---------------------------	-------------

^[1] Upper diffuser for energy saving bulbs only (LED/compact fluorescent).
Dimmer included.



Bulb socket:

E27 (Max. hgt. 137 mm / 5.4")

Recommended light source (dimmable):

2 x LED bulb 13,5 W

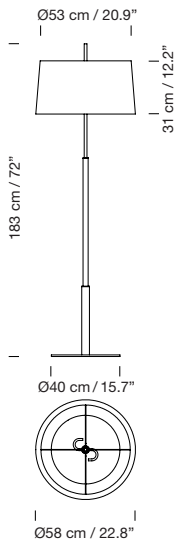
Other light sources:

Max. 2 x 75 W

Diana Mayor

Federico Correa, Alfonso Milá,
Miguel Milá
1995

For further information on light sources go to p. 148

**Examples of composition**

DIA31 + DIAG8	945 €
DIA313 + DIAG6	1.010 €

Code Metallic structure

DIA31	Satin nickel	750 €
DIA313	Brass finish	805 €

Lampshade

DIAG8	White linen	195 €
DIAG6	Black linen	205 €

Light source (dimmable)

6BOM41	LED bulb 13,5 W - 2.700 K	30 €
---------------	---------------------------	-------------

Dimmer included.

**Bulb socket:**

E27 (Max. hgt. 137 mm / 5.4")

Recommended light source (dimmable):

2 x LED bulb 13,5 W

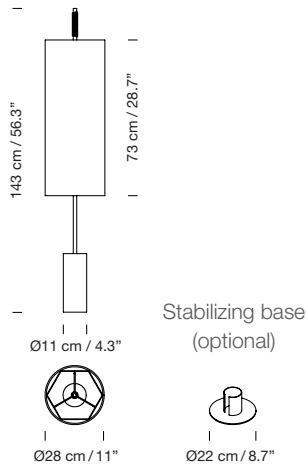
Other light sources:

Max. 2 x 75 W

Dórica

Jordi Miralbell,
Mariona Raventós
1994

For further information on light sources go to p. 148



Composition

DOR03 + DORP3	885 €
DOR03 + DORP3 + DOR00	1.010 €

Code	Description	
DOR03	Metal structure with dark brown finish	650 €
DORP3	Natural ribbon lampshade	235 €

Stabilizing base (optional)

DOR00	Dark brown	125 €
--------------	------------	--------------

Light source (dimmable)

6BOM40	LED bulb 10 W - 2.700 K	15 €
---------------	-------------------------	-------------

Dimmer included.



Bulb socket:

E27 (Max. hgt. 130 mm / 5.1")

Recommended light source (dimmable):

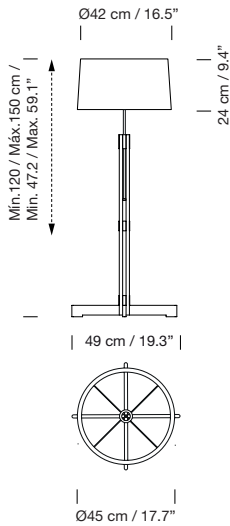
3 x LED bulb 10 W

Other light sources:

Max. 3 x 50 W

FADMiguel Milá
1974

For further information on light sources go to p. 148

**Composition**

FAD22 + FADG8	730 €
----------------------	--------------

Code	Description	
FAD22	Natural oak wood structure	605 €
FADG8	White linen lampshade	125 €

Light source (dimmable)

6BOM40	LED bulb 10 W - 2.700 K	15 €
---------------	-------------------------	-------------

Height-adjustable white linen lampshade.
Dimmer included.



Contact us for further details on the specifics of product versions
for contract projects.

Bulb socket:

E27 (Max. hgt. 130 mm / 5.1")

Recommended light source (dimmable):

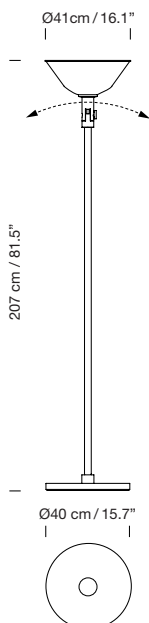
LED bulb 10 W

Other light sources:

Max. 100 W

GATCPACJosep Torres Clavé
1931

For further information on light sources go to p. 148



Code	Description	
TLC02	Polished aluminium structure and lampshade	960 €

Light source (dimmable)

6BOM41	LED bulb 13,5 W - 2.700 K	30 €
---------------	---------------------------	-------------

Adjustable lampshade.
Dimmer included.

**Bulb socket:**

E27 (Max. hgt. 160 mm / 6.3")

Recommended light source (dimmable):

LED bulb 13,5 W

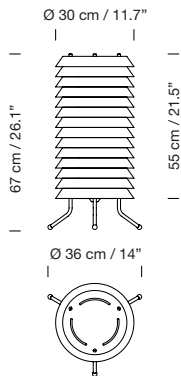
Other light sources:

Max. 150 W

Maija 30

Ilmari Tapiovaara
1955

For further information on built-in LED go to p. 152



Code	Description	
------	-------------	--

MAI21L	Metallic lampshade finished in matte white Brass legs finished in matte	800 €
---------------	--	--------------

Diffuser in white translucent methacrylate.
Dimmer included.



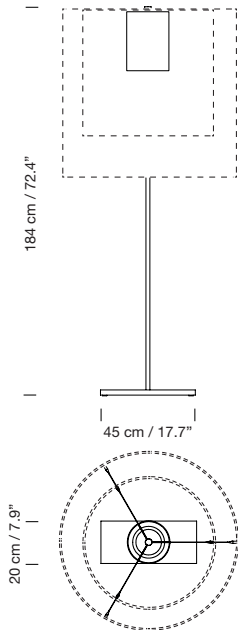
Light source included (dimmable):

Built-in LED 24 W

Moaré

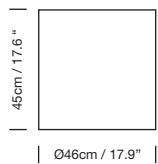
Antoni Arola
2003

For further information on light sources go to p. 148

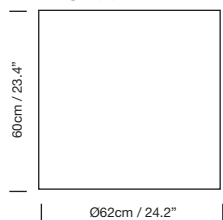


Lampshades

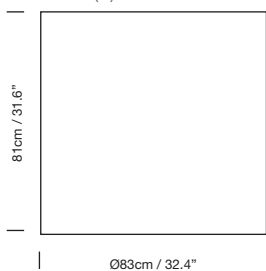
Medium (M)



Large (L)



Extra (X)



Examples of composition

MRE21 + MRELx*	1.385 €
MRE21 + MREXx*	1.605 €
MRE21 + MREMx* + MRELx*	1.630 €
MRE21 + MREMx* + MREXx*	1.850 €
MRE21 + MRELx* + MREXx*	1.935 €

Code	Structure	
MRE21	Aluminium with graphite black finish and cast aluminium base	1.055 €

Lampshade M

*MREM3	White	245 €
*MREM5	Red	245 €
*MREM6	Grey	245 €
*MREM7	Black	245 €

Lampshade L

*MREL3	White	330 €
*MREL5	Red	330 €
*MREL6	Grey	330 €
*MREL7	Black	330 €

Lampshade X

*MREX3	White	550 €
*MREX5	Red	550 €
*MREX6	Grey	550 €
*MREX7	Black	550 €

Light source (dimmable)

6BOM40	LED bulb 10 W - 2.700 K	15 €
---------------	-------------------------	-------------

Acrylsatiné methacrylate cylindrical diffuser.
Polyester lampshade.
Dimmer included.



Bulb socket:

E27 (Max. hgt. 130 mm / 5.1")

Recommended light source (dimmable):

3 x LED bulb 10 W

Other light sources:

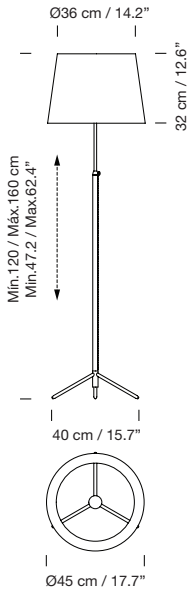
Max. 3 x 50 W

Pie de Salón G1

Jaume Sans

1963

For further information on light sources go to p. 148



Examples of composition

PDS02 + PG101	710 €
PDS02 + PG103	705 €
PDS02 + PG107	730 €
PDS02 + PGL108	740 €
PDS03 + PG101	890 €
PDS03 + PG103	885 €
PDS03 + PG107	910 €
PDS03 + PGL108	920 €

Code	Metallic structure	
PDS02	Chrome-plated	565 €
PDS03	Polished brass	745 €

Lampshade		
PG101	Stitched beige parchment	145 €
PG103	Natural ribbon	140 €
PG105	Red-amber ribbon	140 €
PG106	Black ribbon	140 €
PG107	Terracotta Raw Color ribbon	165 €
PG108	Mustard Raw Color ribbon	165 €
PG109	Green Raw Color ribbon	165 €
PGL108	White linen	175 €

Light source (dimmable)		
6BOM41	LED bulb 13,5 W - 2.700 K	30 €

Shaft covered in black leather.
Height-adjustable lampshade.
Dimmer included.



Bulb socket:

E27 (Max. hgt. 137 mm / 5.4")

Recommended light source (dimmable):

LED bulb 13,5 W

Other light sources:

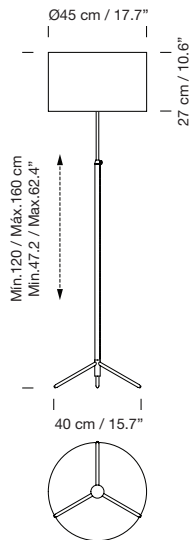
Max. 100 W

Pie de Salón G2

Jaume Sans

1963

For further information on light sources go to p. 148



Composition

PDS02 + PG20x*	710 €
PDS02 + PG208	740 €
PDS03 + PG20x*	890 €
PDS03 + PG208	920 €

Code	Metallic structure	
PDS02	Chrome-plated	565 €
PDS03	Polished brass	745 €

	Lampshade	
*PG203	Natural ribbon	145 €
*PG205	Red-amber ribbon	145 €
*PG206	Black ribbon	145 €
PG208	White linen	175 €

	Light source (dimmable)	
6BOM41	LED bulb 13,5 W - 2.700 K	30 €

Shaft covered in black leather.

Height-adjustable lampshade.

Dimmer included.



Bulb socket:

E27 (Max. hgt. 137 mm / 5.4")

Recommended light source (dimmable):

LED bulb 13,5 W

Other light sources:

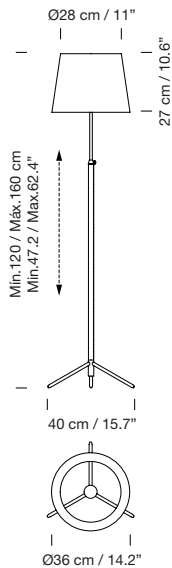
Max. 100 W

Pie de Salón G3

Jaume Sans

1963

For further information on light sources go to p. 148



Examples of composition

PDS02 + PG303	680 €
PDS02 + PG307	700 €
PDS02 + PGL308	695 €
PDS03 + PG303	860 €
PDS03 + PG307	880 €
PDS03 + PGL308	875 €

Code	Metallic structure	
PDS02	Chrome-plated	565 €
PDS03	Polished brass	745 €

	Lampshade	
PG303	Natural ribbon	115 €
PG305	Red-amber ribbon	115 €
PG306	Black ribbon	115 €
PG307	Terracotta Raw Color ribbon	135 €
PG308	Mustard Raw Color ribbon	135 €
PG309	Green Raw Color ribbon	135 €
PGL308	White linen	130 €

	Light source (dimmable)	
6BOM41	LED bulb 13,5 W - 2.700 K	30 €

Shaft covered in black leather.

Height-adjustable lampshade.

Dimmer included.



Bulb socket:

E27 (Max. hgt. 137 mm / 5.4")

Recommended light source (dimmable):

LED bulb 13,5 W

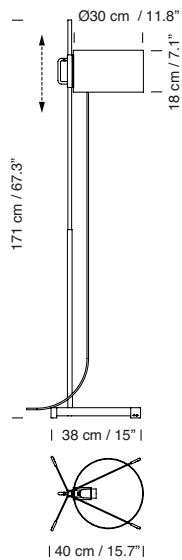
Other light sources:

Max. 100 W

TMC

Miguel Milá
1961

For further information on light sources go to p. 148



Code	Description	
TMC11	Two-part metal structure: upper half chrome-plated and lower half black. Height-adjustable white methacrylate lampshade.	725 €
Light source		
6BOM40	LED bulb 10 W - 2.700 K	15 €

The light is switched on/off by pulling lightly on the cable.



Contact us for further details on the specifics of product versions for contract projects.

Bulb socket:

E27 (Max. hgt. 125 mm / 4.9")

Recommended light source:

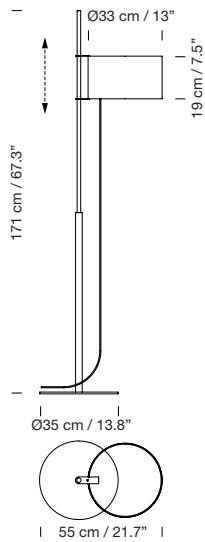
LED bulb 10 W

Other light sources:

Max. 100 W

TMD
Miguel Milá
2005

For further information on light sources go to p. 148



Composition

TMD21 + TMDP8 705 €

Code Description

TMD21 Satin nickel structure 440 €

TMDP8 White linen lampshade 265 €

Light source

6BOM40 LED bulb 10 W - 2.700 K 15 €

Height-adjustable lampshade.

The lampshade is delivered with cable, bulb socket and fastening system to the structure.

The light is switched on/off by pulling lightly on the cable.



Contact us for further details on the specifics of product versions for contract projects.

Bulb socket:

E27 (Max. hgt. 125 mm / 4.9")

Recommended light source:

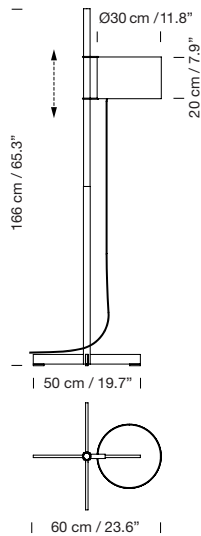
LED bulb 10 W

Other light sources:

Max. 100 W

TMMMiguel Milá
1961

For further information on light sources go to p. 148

**Composition**

TMMHA + TMMPx*	545 €
TMMHA + TMMP2D	570 €
TMMCE + TMMPx*	560 €
TMMCE + TMMP2D	585 €
TMMNO + TMMPx*	610 €
TMMNO + TMMP2D	635 €
TMMRO + TMMPx*	560 €
TMMRO + TMMP2D	585 €
TMMNE + TMMPx*	560 €
TMMNE + TMMP2D	585 €

Code **Wooden structure**

TMMHA	Beech	295 €
TMMCE	Cherry	310 €
TMMNO	Walnut	360 €
TMMRO	Natural oak	310 €
TMMNE	Black oak	310 €

Parchment lampshade

*TMMP1	Beige	250 €
*TMMP2	White	250 €
TMMP2D	White with upper diffuser in white translucent methacrylate ^[1]	275 €

Light source

6BOM40	LED bulb 10 W - 2.700 K	15 €
---------------	-------------------------	------

Height-adjustable lampshade.

The lampshade is delivered with cable, bulb socket and fastening system to the structure.

The light is switched on/off by pulling lightly on the cable.

^[1]Lampshade with upper diffuser for energy saving bulbs only (LED/compact fluorescent).

Contact us for further details on the specifics of product versions for contract projects.

Bulb socket:

E27 (Max. hgt. 125 mm / 4.9")

Recommended light source:

LED bulb 10 W

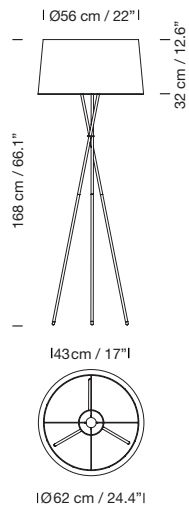
Other light sources:

Max. 100 W

Tripode G5

Santa & Cole Team
1997

For further information on light sources go to p. 148



Composition

TG501 + TG5Px*	510 €
TG501 + TG5Px**	530 €

Code Structure

TG501	Black metal	325 €
-------	-------------	-------

Ribbon lampshade

*TG5P3	Natural	185 €
*TG5P5	Red-amber	185 €
*TG5P6	Black	185 €
**TG5P7	Terracotta Raw Color	205 €
**TG5P8	Mustard Raw Color	205 €
**TG5P9	Green Raw Color	205 €

Light source

6BOM41	LED bulb 13,5 W - 2.700 K	30 €
--------	---------------------------	------

Contact us for further details on the specifics of product versions for contract projects.



Bulb socket:

E27 (Max. hgt. 160 mm / 6.3")

Recommended light source:

LED bulb 13,5 W

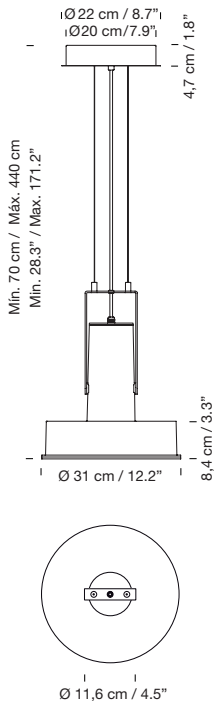
Other light sources:

Max. 100 W

Arne Domus

Santa & Cole Team
2015

For further information on built-in LED go to p. 152



Code	Structure and canopy	
------	----------------------	--

ARD11	S&C white	795 €
ARD12	Aluminium grey	795 €
ARD13	Mustard	795 €
ARD14	Dark green	795 €

Matte aluminium injection structure.
Acid-etched and tempered glass diffuser.
Metallic circular canopy included with power supply incorporated.
Suitable for dimming 1-10V. (Not included external dimmer switch 1-10V).
Suitable for indoor and outdoor use.
Electric cable length: 4 m / 157.5"
Weight: 6,2 kg / 13.6 lb



Light source included (dimmable):

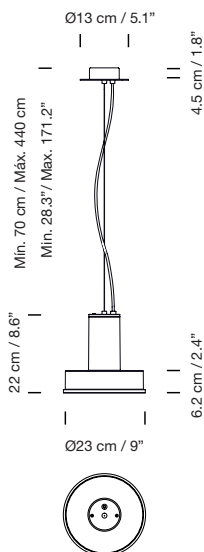
Built-in LED 33 W

Arne S Domus

Santa & Cole Team
2018

For further information on built-in LED go to p. 152

New Product



Code	Structure and canopy	
------	----------------------	--

ARSD11	S&C white	625 €
ARSD12	Aluminium grey	625 €
ARSD13	Mustard	625 €
ARSD14	Dark green	625 €

Matte aluminium injection structure with integrated driver.
Primary optics with tempered glass cover.
Metallic circular canopy included.
Suitable for dimming 1-10V.
(Not included external dimmer switch 1-10V).
Suitable for indoor and outdoor use.
Electric cable length: 4 m / 157.5"
Weight: 3,3 Kg / 7.2 lb
UL listing is in progress.



Light source included (dimmable):

Built-in LED 24 W

BlancoWhite
D1 ceiling /
D1 ceiling Up&Down
 Antoni Arola
 2013

For further information on built-in LED go to p. 152

Composition

BWD102 + BWF102	830 €
BWD102 + BWF202 + BWPD12	1.050 €

Code	Structure	
BWD102	Graphite metal with matte finish	640 €

Canopy

BWF102	Circular metal with power supply incorporated	190 €
---------------	---	--------------

Up&Down counterweight

BWPD12	Optional	175 €
---------------	----------	--------------

Up&Down canopy

BWF202	Optional	235 €
---------------	----------	--------------

Option of Up&Down counterweight to adjust height.

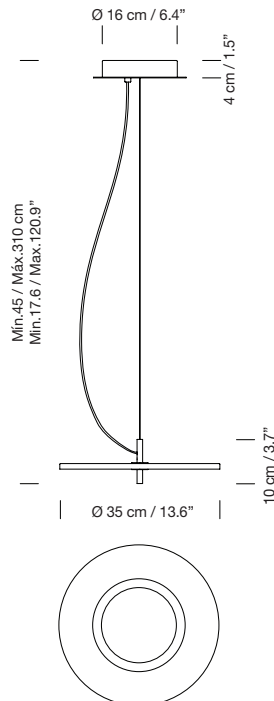
Electric cable length: 3 m / 118.1"

Weight: 3 kg / 6.6 lb

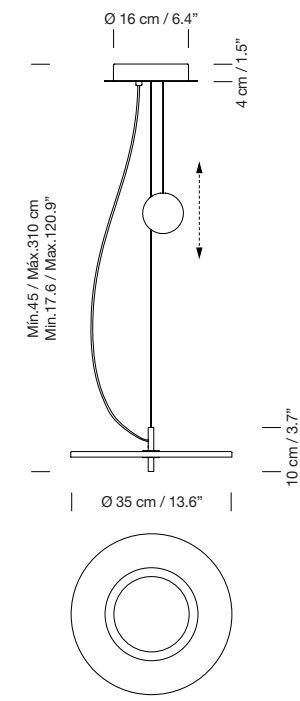
Weight with Up&Down counterweight : 4 kg / 8.8 lb



D1 ceiling



D1 ceiling up&down



Light source included:

Built-in LED 22 W

BlancoWhite
D2 ceiling /
D2 ceiling Up&Down
 Antoni Arola
 2013

For further information on built-in LED go to p. 152

Composition

BWD202 + BWF102	940 €
BWD202 + BWF202 + BWPD22	1.210 €

Code Structure

BWD202	Graphite metal with matte finish	750 €
---------------	----------------------------------	--------------

Canopy

BWF102	Circular metal with power supply incorporated	190 €
---------------	---	--------------

Up&Down counterweight

BWPD22	Optional	225 €
---------------	----------	--------------

Up&Down canopy

BWF202	Optional	235 €
---------------	----------	--------------

Option of Up&Down counterweight to adjust height.

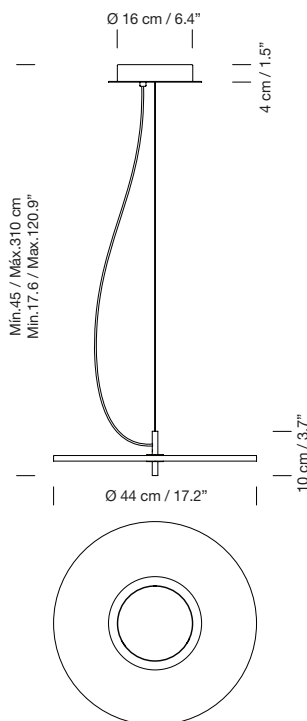
Electric cable length: 3 m / 118.1"

Weight: 4 kg / 8.8 lb

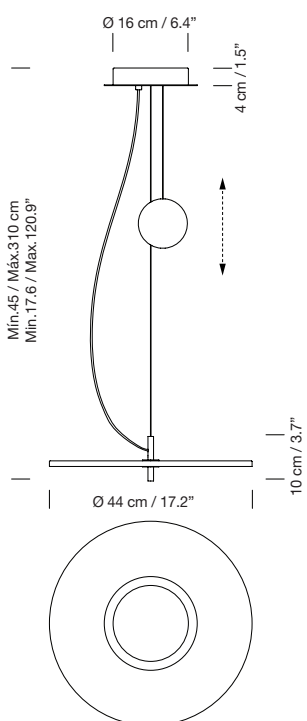
Weight with Up&Down counterweight : 5 kg / 11 lb



D2 ceiling



D2 ceiling up&down



Light source included:

Built-in LED 28 W

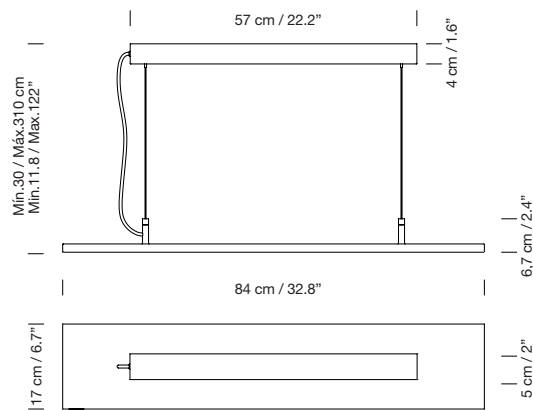
BlancoWhite R3

Antoni Arola
2013

For further information on built-in LED go to p. 152

Code	Description	
BWR302	Graphite metal structure with matte finish Rectangular metal canopy with power supply incorporated	1.085 €

Suitable for dimming 1-10V. (Not included external dimmer switch 1-10V).
Electric cable length: 3 m / 118.1"
Weight: 5,8 kg / 12.8 lb



Light source included (dimmable):
Built-in LED 33 W

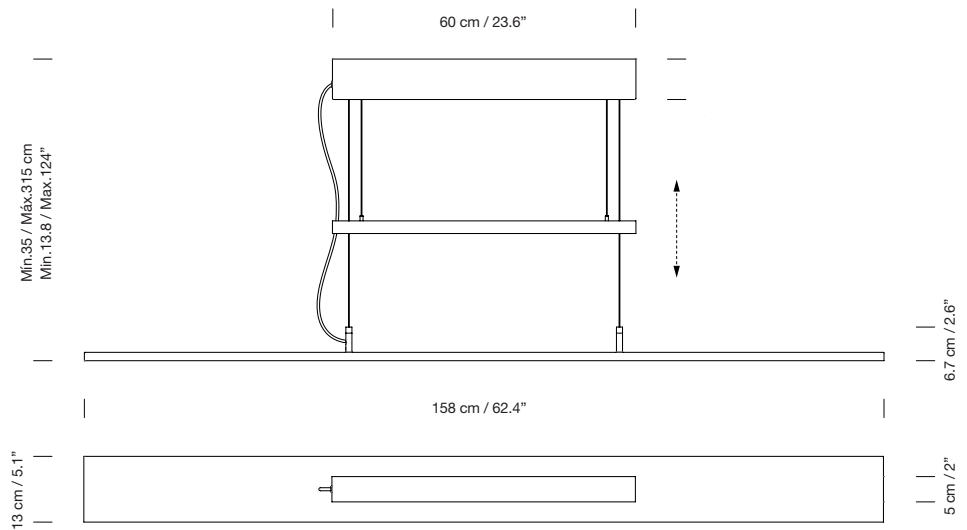
BlancoWhite Golden Gate

Antoni Arola
2013

For further information on built-in LED go to p. 152

Code	Description	
BWGG02	Graphite metal structure with matte finish Rectangular metal canopy with power supply incorporated	1.895 €

Suitable for dimming 1-10V. (Not included external dimmer switch 1-10V).
Includes counterweight to adjust height.
Electric cable length: 3 m / 118.1"
Weight: 17,5 kg / 38.5 lb



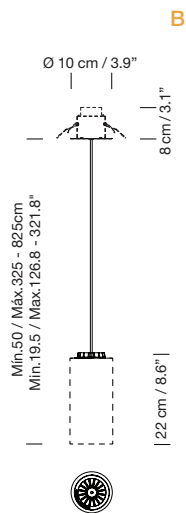
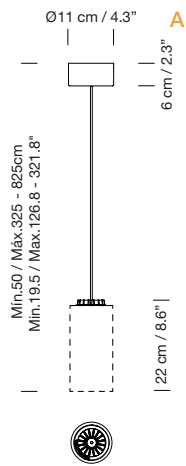
Light source included (dimmable):
Built-in LED 66 W

Cirio Simple

Antoni Arola
2010

For further information on built-in LED go to p. 152

Canopies



Examples of composition

HEFxx* + HEL03 + CIP01	330 €
HEFxx* + HEL08 + CIP05	350 €
HEFD0x** + HEL03 + CIP06	505 €
HEFD0x** + HEL08 + CIP01	425 €

Code	Circular metal canopy + power supply	Drawing	
*HEF01	Black surface (not dimmable)	A	115 €
*HEF02	White surface (not dimmable)	A	115 €
**HEFD01	Black surface dimmable 1-10V ⁽¹⁾	A	180 €
**HEFD02	White surface dimmable 1-10V ⁽¹⁾	A	180 €
*HEF12	White built-in (not dimmable)	B	115 €

LED capsule with electric black cable

HEL03	3 m / 118.1"	90 €
HEL08	8 m / 315"	120 €

	Lampshade	Finish		
CIP01	White porcelain	Matte interior and gloss exterior	PP	125 €
CIP05	White opal glass	Matte	PV	115 €
CIP06	Brass	Polished	PL	235 €

Capsule with LED module, translucent white diffuser and heat sink with black matte finish.

⁽¹⁾ Suitable for dimming 1-10V. (Not included external dimmer switch 1-10V)

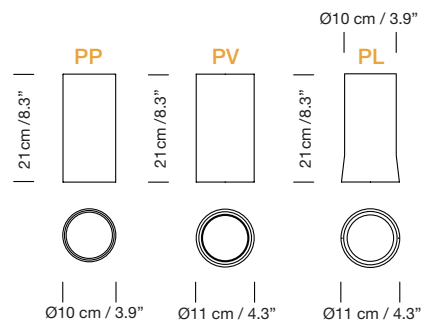
S&C LED capsule suitable with HeadLed System lampshades. (pág 127).

Electric cable length: 3 m / 118.1" - 8 m / 315"

Weight (with porcelain lampshade): 1,1 Kg / 2.4 lb



Lampshades



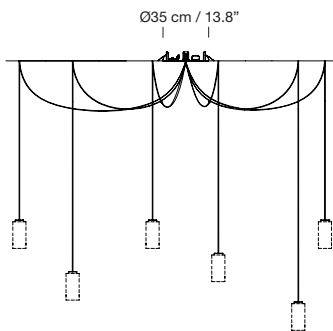
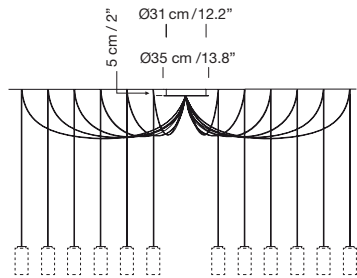
Light source included:

Not dimmable (HEF01 / HEF02 / HEF12): Built-in LED 3,7 W

Dimmable (HEFD01 / HEFD02): Built-in LED 7,7 W

Cirio MúltipleAntoni Arola
2010

For further information on built-in LED go to p. 152

**Examples of composition**

CIF11 + 12 HEL03 + 12 CIP01	3.235 €
CIF22 + 6 HEL08 + 6 CIP05	2.115 €
CIF12 + 8 HEL08 + 8 CIP06	3.495 €

Code Circular metal canopy + power supply

CIF11	Black surface dimmable 1-10 V	655 €
CIF11-DALI	Black surface dimmable DALI	655 €
CIF12	White surface dimmable 1-10 V	655 €
CIF12-DALI	White surface dimmable DALI	655 €
CIF22	White built-in dimmable 1-10 V	705 €
CIF22-DALI	White built-in dimmable DALI	705 €

LED capsule with electric black cable

HEL03	3 m / 118.1"	90 €
HEL08	8 m / 315"	120 €

	Lampshade	Finish	Drawing	
CIP01	White porcelain	Matte interior and gloss exterior	PP	125 €
CIP05	White opal glass	Matte	PV	115 €
CIP06	Brass	Polished	PL	235 €

Capsule with LED module, translucent white diffuser and heat sink with black matte finish.



From 6 to a maximum of 12 light sources.

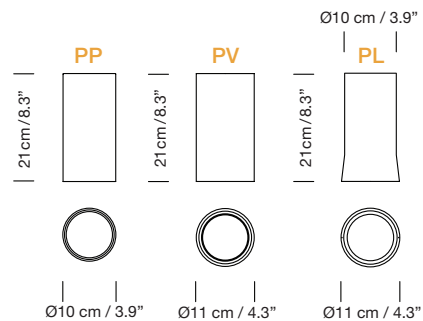
Suitable for dimming 1-10V / DALI

(Not included external dimmer switch 1-10V / DALI).

S&C LED capsule suitable with HeadLed System lampshades (pág 127).

Electric cable length: 3 m / 118.1" - 8 m / 315"

Weight (with porcelain lampshade): 8 Kg / 17.5 lb

Lampshades**Light sources included (dimmable):**

Built-in LED 7,7 W

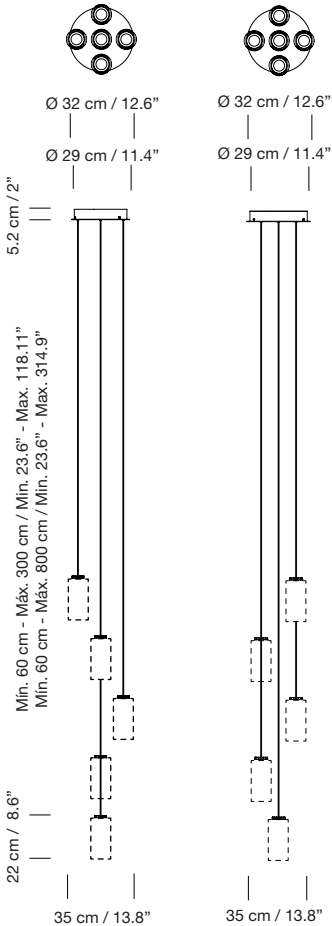
Cirio Cascada 5

Antoni Arola
2017

For further information on built-in LED go to p. 152

Spiral
composition

Random
composition



Composition

CIF41* + 5 HEL03 + 5 CIP01	1.560 €
CIF41* + 5 HEL08 + 5 CIP01	1.710 €
CIF41* + 5 HEL03 + 5 CIP05	1.510 €
CIF41* + 5 HEL08 + 5 CIP05	1.660 €
CIF41* + 5 HEL03 + 5 CIP06	2.110 €
CIF41* + 5 HEL08 + 5 CIP06	2.260 €

Code Black metal circular canopy + power supply 5 light sources

*CIF41	Dimming 1-10V	485 €
*CIF41-DALI	Dimming DALI	485 €

LED capsule with electric black cable

HEL03	3 m / 118.1"	90 €
HEL08	8 m / 315"	120 €

	Lampshade	Finish	Drawing	
CIP01	White porcelain	Matte interior and gloss exterior	PP	125 €
CIP05	White opal glass	Matte	PV	115 €
CIP06	Brass	Polished	PL	235 €

Capsule with LED module, translucent white diffuser and heat sink with black matte finish.

Suitable for dimming 1-10V / DALI).

(Not included external dimmer switch 1-10V / DALI).

Electric cable length: 3 m / 118.1" - 8 m / 315"

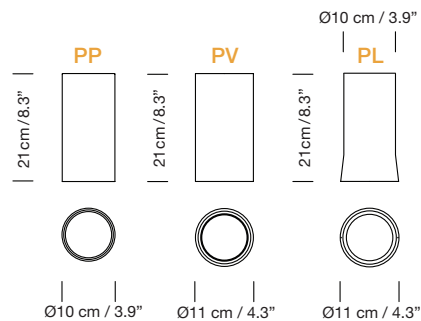
Weight (with porcelain lampshade):

3 m: 7 Kg / 15.5 lb

8 m: 8 Kg / 17.6 lb



Lampshades



Light sources included (dimmable):

5 x Built-in LED 7,7 W

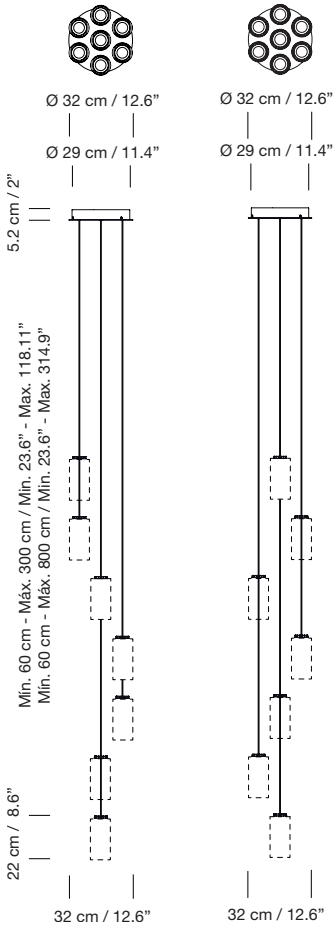
Cirio Cascada 7

Antoni Arola
2017

For further information on built-in LED go to p. 152

Spiral
composition

Random
composition



Composition

CIF51* + 7 HEL03 + 7 CIP01	1.990 €
CIF51* + 7 HEL08 + 7 CIP01	2.200 €
CIF51* + 7 HEL03 + 7 CIP05	1.920 €
CIF51* + 7 HEL08 + 7 CIP05	2.130 €
CIF51* + 7 HEL03 + 7 CIP06	2.760 €
CIF51* + 7 HEL08 + 7 CIP06	2.970 €

Code	Black metal circular canopy + power supply 7 light sources	
*CIF51	Dimming 1-10V	485 €
*CIF51-DALI	Dimming DALI	485 €

LED capsule with electric black cable

HEL03	3 m / 118.1"	90 €
HEL08	8 m / 315"	120 €

	Lampshade	Finish	Drawing	
CIP01	White porcelain	Matte interior and gloss exterior	PP	125 €
CIP05	White opal glass	Matte	PV	115 €
CIP06	Brass	Polished	PL	235 €

Capsule with LED module, translucent white diffuser and heat sink with black matte finish.

Suitable for dimming 1-10V / DALI).

(Not included external dimmer switch 1-10V / DALI).

Electric cable length: 3 m / 118.1" - 8 m / 315"

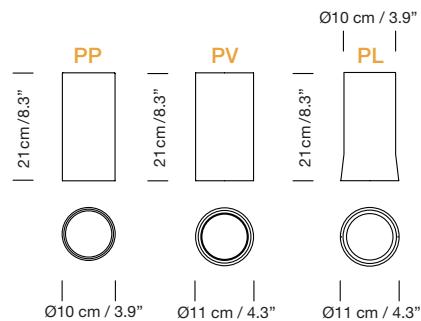
Weight (with porcelain lampshade):

3 m: 9 Kg / 19.8 lb

8 m: 10 Kg / 22 lb



Lampshades



Light source included (dimmable):

7 x Built-in LED 7,7 W

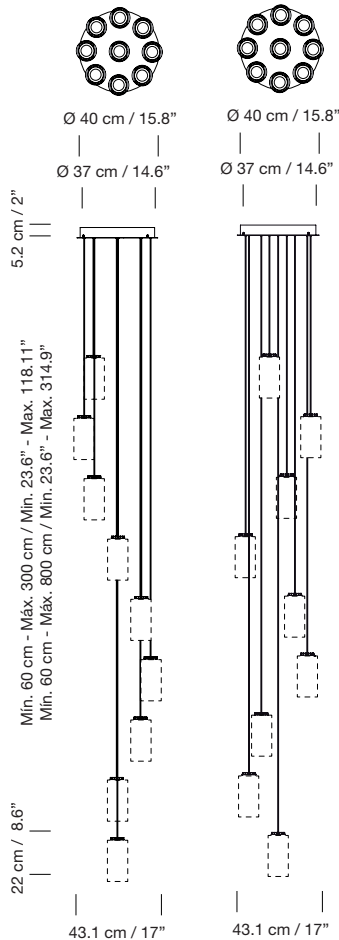
Cirio Cascada 9

Antoni Arola
2017

For further information on built-in LED go to p. 152

Spiral
composition

Random
composition



Composition

CIF61* + 9 HEL03 + 9 CIP01	2.475 €
CIF61* + 9 HEL08 + 9 CIP01	2.745 €
CIF61* + 9 HEL03 + 9 CIP05	2.385 €
CIF61* + 9 HEL08 + 9 CIP05	2.655 €
CIF61* + 9 HEL03 + 9 CIP06	3.465 €
CIF61* + 9 HEL08 + 9 CIP06	3.735 €

Code Black metal circular canopy + power supply 9 light sources

*CIF61	Dimming 1-10 V	540 €
*CIF61-DALI	Dimming DALI	540 €

LED capsule with electric black cable

HEL03	3 m / 118.1"	90 €
HEL08	8 m / 315"	120 €

	Lampshade	Finish	Drawing	
CIP01	White porcelain	Matte interior and gloss exterior	PP	125 €
CIP05	White opal glass	Matte	PV	115 €
CIP06	Brass	Polished	PL	235 €

Capsule with LED module, translucent white diffuser and heat sink with black matte finish.

Suitable for dimming 1-10V / DALI).

(Not included external dimmer switch 1-10V / DALI).

Electric cable length: 3 m / 118.1" - 8 m / 315"

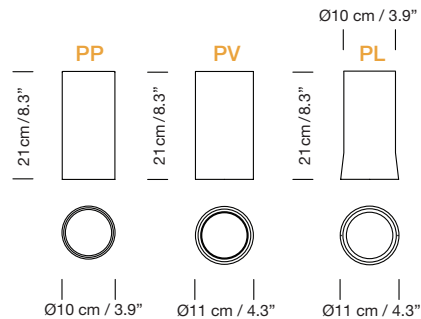
Weight (with porcelain lampshade):

3 m: 12 Kg / 26.5 lb

8 m: 14 Kg / 30.9 lb



Lampshades



Light source included (dimmable):

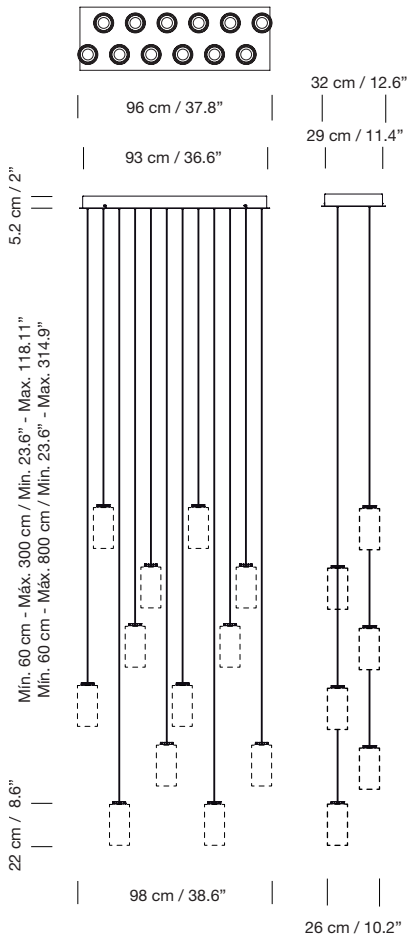
9 x Built-in LED 7,7 W

Cirio Cascada 12

Antoni Arola

2017

For further information on built-in LED go to p. 152

**Composition**

CIF71* + 12 HEL03 + 12 CIP01	3.290 €
CIF71* + 12 HEL08 + 12 CIP01	3.650 €
CIF71* + 12 HEL03 + 12 CIP05	3.170 €
CIF71* + 12 HEL08 + 12 CIP05	3.530 €
CIF71* + 12 HEL03 + 12 CIP06	4.610 €
CIF71* + 12 HEL08 + 12 CIP06	4.970 €

Code Black metal rectangular canopy + power supply 12 light sources

*CIF71	Dimming 1-10 V	710 €
*CIF71-DALI	Dimming DALI	710 €

LED capsule with electric black cable

HEL03	3 m / 118.1"	90 €
HEL08	8 m / 315"	120 €

	Lampshade	Finish	Drawing	
CIP01	White porcelain	Matte interior and gloss exterior	PP	125 €
CIP05	White opal glass	Matte	PV	115 €
CIP06	Brass	Polished	PL	235 €

Capsule with LED module, translucent white diffuser and heat sink with black matte finish.

Suitable for dimming 1-10V / DALI).

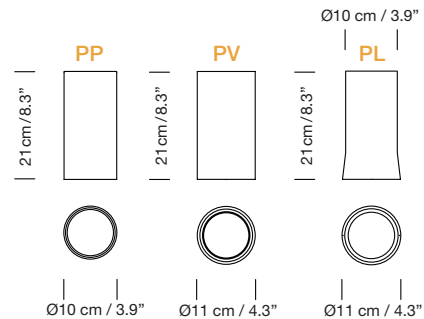
(Not included external dimmer switch 1-10V / DALI).

Electric cable length: 3 m / 118.1" - 8 m / 315"

Weight (with porcelain lampshade):

3 m: 18 Kg / 39.7 lb

8 m: 20 Kg / 44 lb

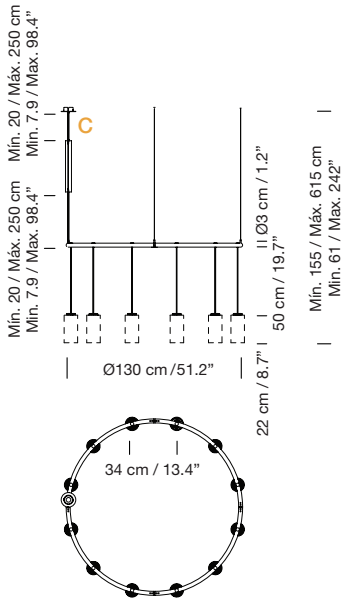
**Lampshades****Light source included (dimmable):**

12 x Built-in LED 7,7 W

Cirio Circular S

Antoni Arola
2010

For further information on built-in LED go to p. 152



Examples of composition

CIR12 + CIF01 + 12 CIP01	3.985 €
CIR12 + CIF31 + 12 CIP05	3.835 €

Code	Black metal structure	Light sources	
CIR12	Circular Ø 130 cm / 51.1"	12	2.095 €

	Black metal canopy + power supply	Drawing	
CIF01	Circular Dimming DALI / DSI / SWITCH DIM	C	390 €
CIF31	Rectangular ⁽¹⁾ Dimming 1-10V	R	360 €
CIF31-DALI	Rectangular ⁽¹⁾ Dimming DALI	R	360 €

	Lampshade	Finish	
CIP01	White porcelain	Matte interior and gloss exterior	PP 125 €
CIP05	White opal glass	Matte	PV 115 €
CIP06	Brass	Polished	PL 235 €

Capsule with LED module, translucent white diffuser and heat sink with black matte finish.

Suitable for dimming.

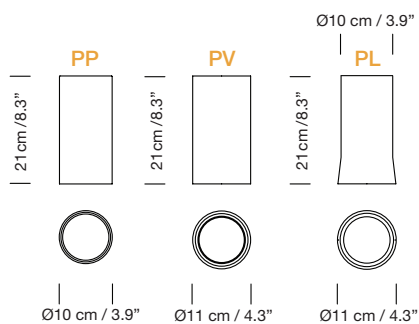
(Not included external dimmer switch).

Electric cable length: 5 m / 196.8"

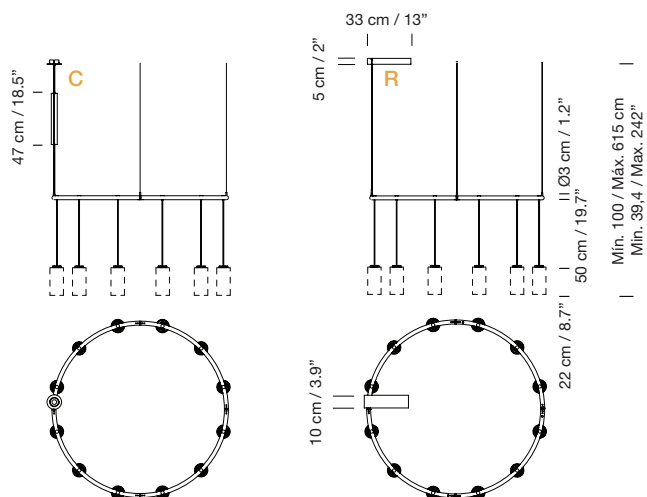
Weight (with porcelain lampshade): 13 Kg / 28.6 lb



Lampshades



Ceiling rosettes



Light sources included (dimmable):

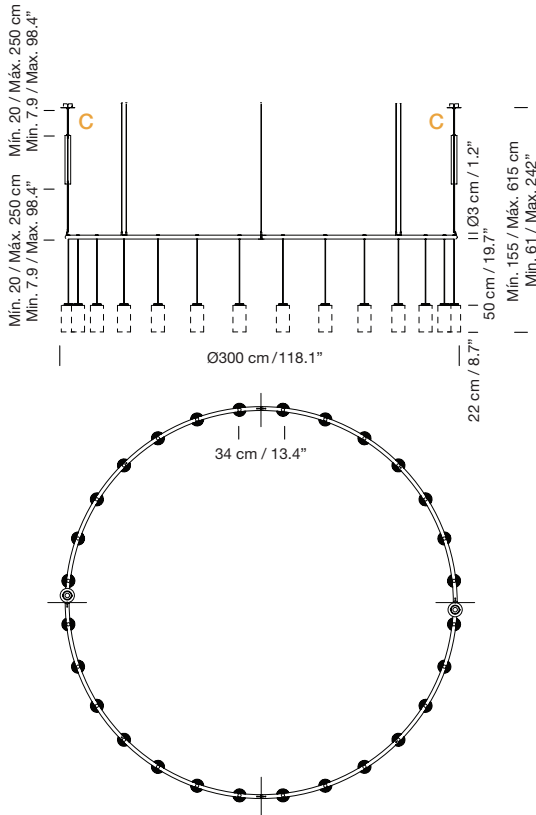
Not dimmable (CIF01): 12 x Built-in LED 3,7 W

Dimmable (CIF31 / CIF31-DALI): 12 x Built-in LED 7,7 W

Cirio Circular M

Antoni Arola
2010

For further information on built-in LED go to p. 152



Examples of composition

CIR28 + 2 CIF01 + 28 CIP01	7.815 €
CIR28 + 2 CIF31 + 28 CIP05	7.475 €

Code	Black metal structure	Light sources		
CIR28	Circular Ø 300 cm / 118,1"	28	3.535 €	
Black metal canopy + power supply				
CIF01	Circular Dimming DALI / DSI / SWITCH DIM		390 €	C
CIF31	Rectangular Dimming 1-10V		360 €	R
CIF31-DALI	Rectangular Dimming DALI		360 €	R
Lampshade				
CIP01	White porcelain	Matte interior and gloss exterior	125 €	PP
CIP05	White opal glass	Matte	115 €	PV
CIP06	Brass	Polished	235 €	PL

Capsule with LED module, translucent white diffuser and heat sink with black matte finish.

Suitable for dimming.

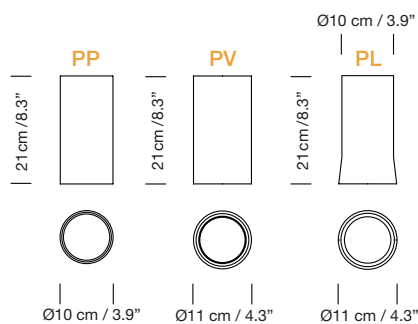
(Not included external dimmer switch).

Electric cable length: 5 m / 196.8"

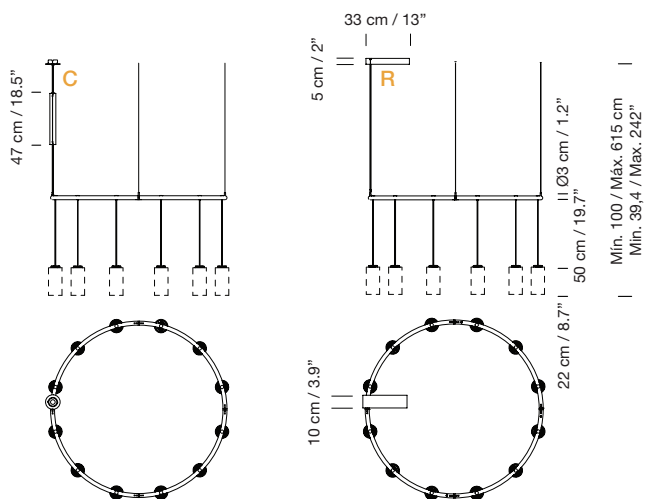
Weight (with porcelain lampshade): 33 Kg / 72.8 lb



Lampshades



Ceiling rosettes



Light sources included (dimmable):

Not dimmable (CIF01): 28 x Built-in LED 3,7 W

Dimmable (CIF31 / CIF31-DALI): 28 x Built-in LED 7,7 W

Cirio Circular L

Antoni Arola
2010

For further information on built-in LED go to p. 152

Examples of composition

CIR42 + 3 CIF01 + 42 CIP01	12.340 €
CIR42 + 3 CIF31 + 42 CIP05	11.830 €

Code	Black metal structure	Light sources		
CIR42	Circular Ø 520 cm / 204.7"	42		5.920 €
	Black metal canopy + power supply		Drawing	
CIF01	Circular Dimming DALI / DSI / SWITCH DIM		C	390 €
CIF31	Rectangular Dimming 1-10V		R	360 €
CIF31-DALI	Rectangular Dimming DALI		R	360 €
	Lampshade	Finish		
CIP01	White porcelain	Matte interior and gloss exterior	PP	125 €
CIP05	White opal glass	Matte	PV	115 €
CIP06	Brass	Polished	PL	235 €

Capsule with LED module, translucent white diffuser and heat sink with black matte finish.

Suitable for dimming. (Not included external dimmer switch).

Electric cable length: 5 m / 196.8"

Weight (with porcelain lampshade): 47 Kg / 103.5 lb

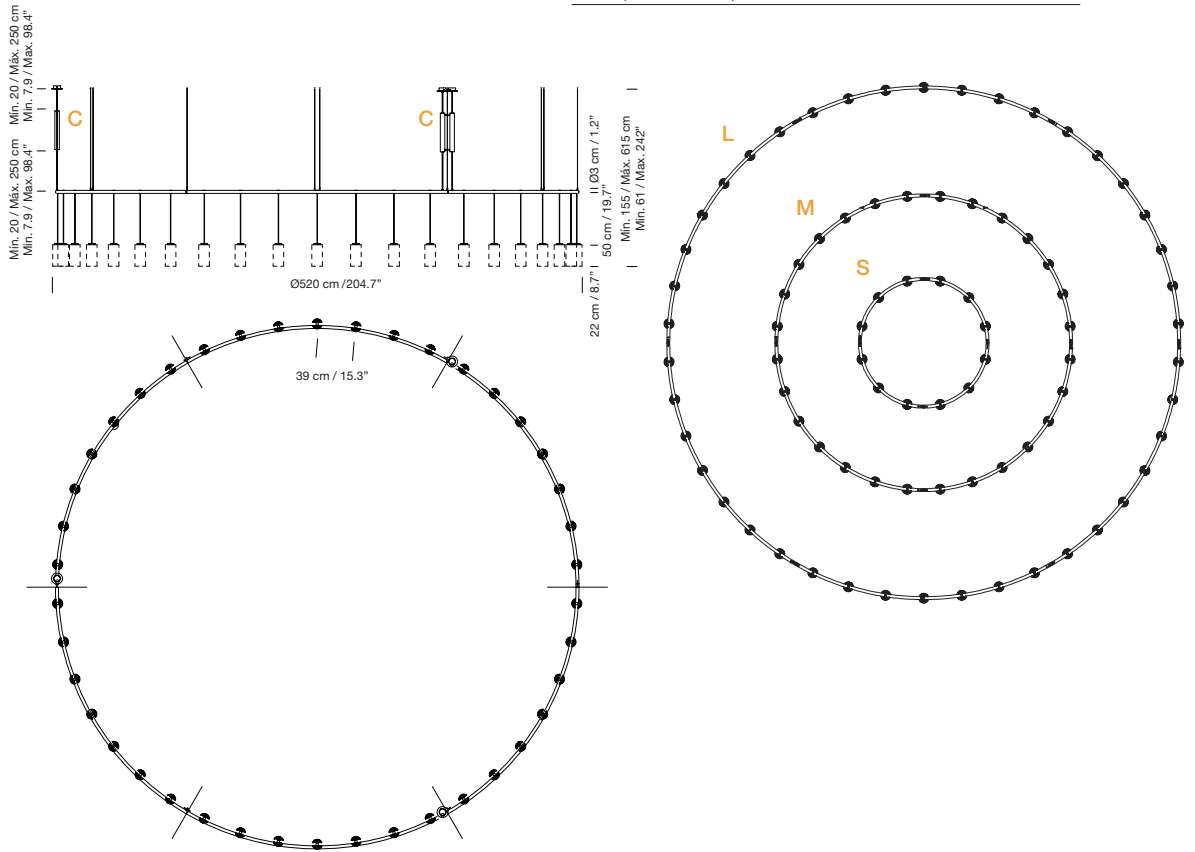


Light sources included (dimmable):

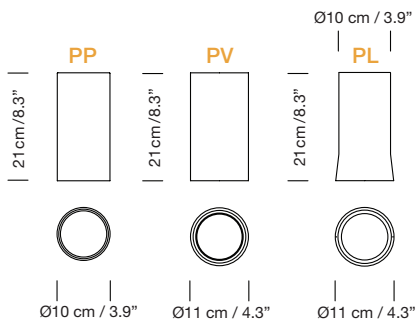
Not dimmable (CIF01): 42 x Built-in LED 3,7 W

Dimmable (CIF31 / CIF31-DALI): 42 x Built-in LED 7,7 W

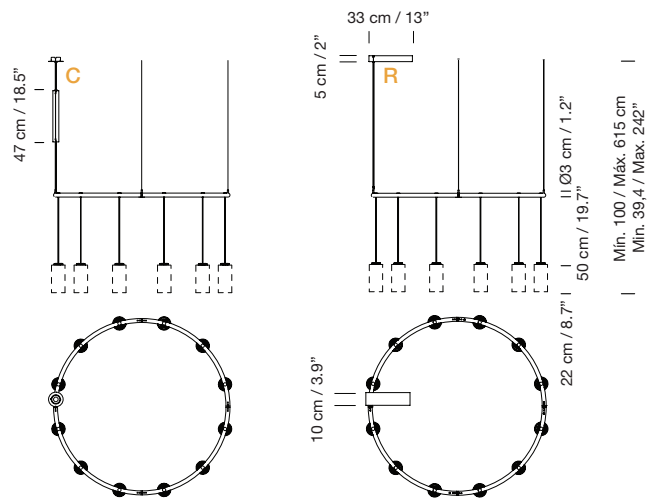
Examples of composition: **S + M + L**



Lampshades



Canopies



Cirio Oval
Antoni Arola
2010

For further information on built-in LED go to p. 152

Examples of composition

CIL05 + CII05 + CIR28 + 3 CIF01 + 4 CIN01 + 38 CIP01	12.075 €
CIL05 + CII05 + CIR28 + 3 CIF31 + 4 CIN01 + 38 CIP05	11.605 €

Code	Black metal structure	Light sources	Drawing	
CIL05	Linear	5	A	1.230 €
CII05	End	5	B	1.230 €
CIR28	Circular Ø 300 cm / 118.1"	28	M	3.535 €

Black metal canopy + power supply

CIF01	Circular (37 - 60 W) Dimming DALI / DSI / SWITCH DIM	C	390 €
CIF02	Circular (20 W) Dimming DALI / DSI / SWITCH DIM	C	420 €
CIF31	Rectangular Dimming 1-10V	R	360 €
CIF31-DALI	Rectangular Dimming DALI	R	360 €

	Lampshade	Finish		
CIP01	White porcelain	Matte interior and gloss exterior	PP	125 €
CIP05	White opal glass	Matte	PV	115 €
CIP06	Brass	Polished	PL	235 €

Metal connector (to join modules)

CIN01	Linear	40 €
--------------	--------	-------------

Capsule with LED module, translucent white diffuser and heat sink with black matte finish.

Suitable for dimming. (Not included external dimmer switch).

Electric cable length: 5 m / 196.8"

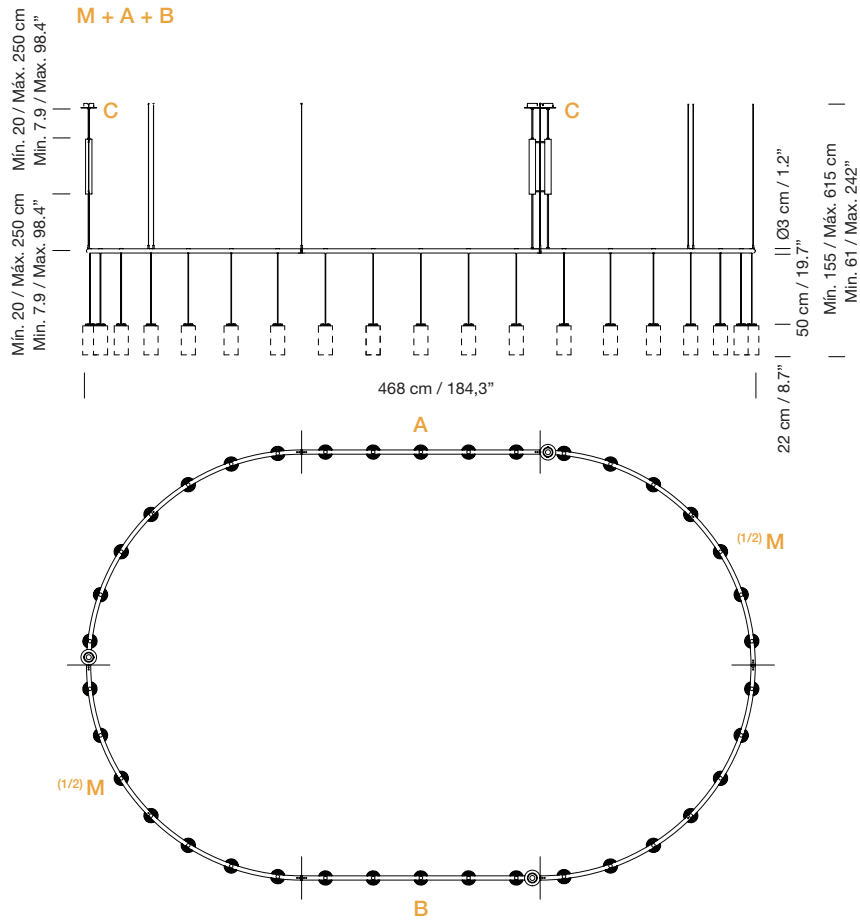
Weight (with porcelain lampshade): 46 Kg / 101.5 lb



Light sources included (dimmable):

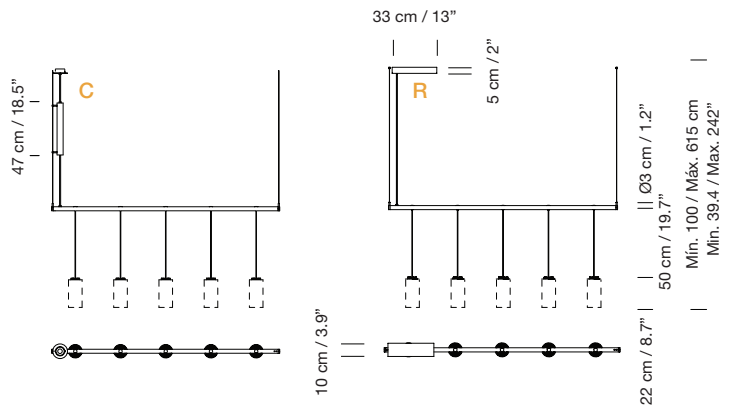
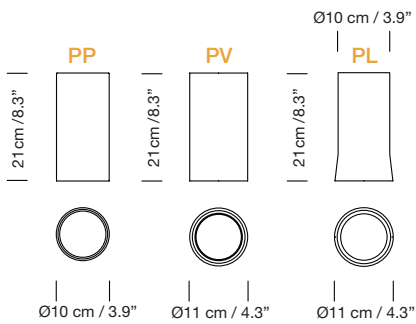
Not dimmable (CIF01): 28 x Built-in LED 3,7 W

Dimmable (CIF31 / CIF31-DALI): 28 x Built-in LED 7,7 W



Lampshades

Canopies



Cirio Lineal

Antoni Arola
2010

For further information on built-in LED go to p. 152

Examples of composition

CIL05 + CIF02 + 5 CIP01	2.275 €
CIL05 + CIF31 + 5 CIP06	2.765 €
CIL05 + 2 CII05 + CIF01 + 2 CIN01 + 15 CIP01	6.035 €
CIL05 + 2 CII05 + CIF31 + 2 CIN01 + 15 CIP01	6.005 €
CIL05 + 2 CII05 + CIF31 + 2 CIN01 + 15 CIP05	5.855 €

Code	Black metal structure	Light sources	Drawing	
CIL05	Linear	5	A	1.230 €
CII05	End	5	B	1.230 €

Code	Black metal canopy + power supply		
CIF01	Circular (37 - 60 W) Dimming DALI / DSI / SWITCH DIM	C	390 €
CIF02	Circular (20 W) Dimming DALI / DSI / SWITCH DIM	D	420 €
CIF31	Rectangular Dimming 1-10V	R	360 €
CIF31-DALI	Rectangular Dimming DALI	R	360 €

	Lampshade	Finish		
CIP01	White porcelain	Matte interior and gloss exterior	PP	125 €
CIP05	White opal glass	Matte	PV	115 €
CIP06	Brass	Polished	PL	235 €

Metal connector (to join modules)

CIN01	Linear	40 €
--------------	--------	-------------

Capsule with LED module, translucent white diffuser and heat sink with black matte finish.

Suitable for dimming. (Not included external dimmer switch).

Electric cable length: 5 m / 196.8"

Weight Cirio Lineal (A) (with canopy and porcelain lampshade): 7,5 Kg / 16.5 lb

Weight Cirio Final (B) (with porcelain lampshade): 4,5 Kg / 10 lb

Composition instructions:

Circular canopy: For 1 module use CIF02. For 2 or 3 modules use CIF01.

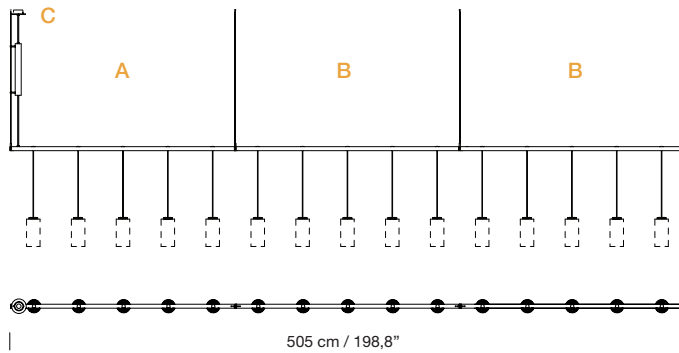
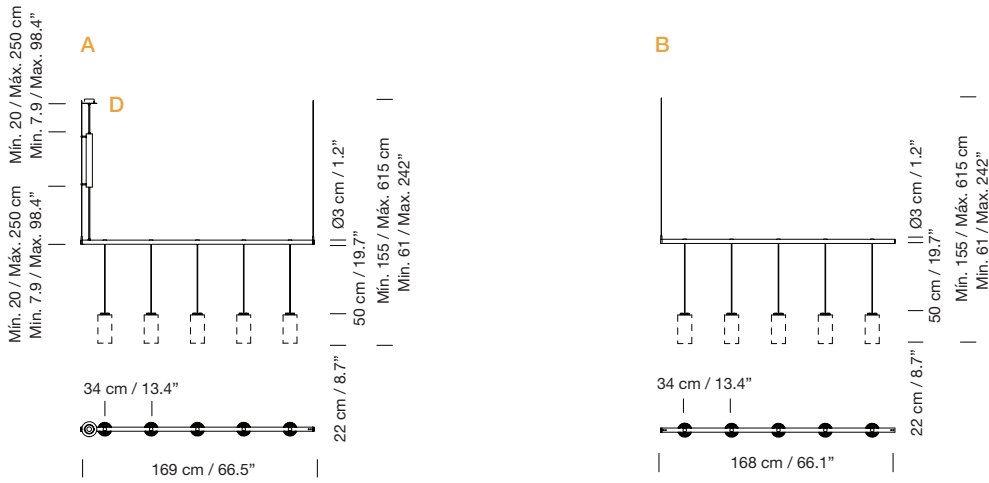
Rectangular canopy: The installation of a new canopy is needed every 3 modules.



Light sources included (dimmable):

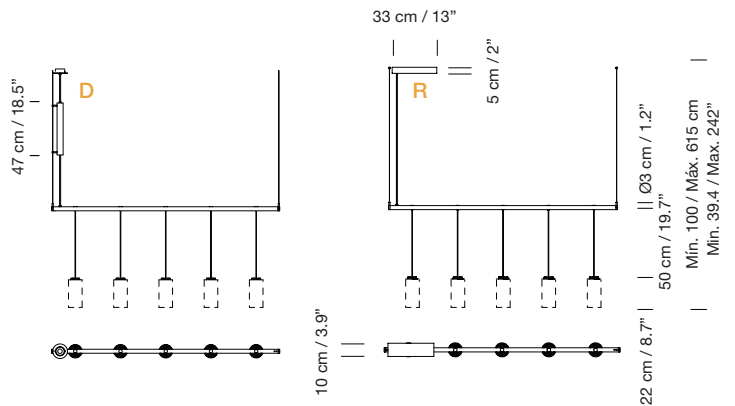
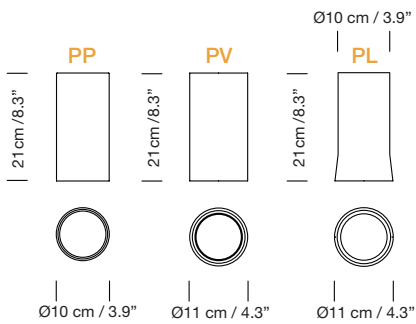
Circular canopy (CIF01 / CIF02): 5 x Built-in LED 3,7 W

Rectangular canopy (CIF31 / CIF31-DALI): 5 x Built-in LED 7,7 W



Lampshades

Canopies



Cirio Chandelier S

Antoni Arola

2015

For further information on built-in LED go to p. 152

Composition

CIC20* + 20 CIP01	6.035 €
CIC20* + 20 CIP05	5.835 €
CIC20* + 20 CIP06	8.235 €

Code Black metal circular structure Ø100 cm / 39.4"

*CIC20	Dimming 1-10 V	3.535 €
*CIC20-DALI	Dimming DALI	3.535 €

	Lampshade	Finish	Drawing	
CIP01	White porcelain	Matte interior and gloss exterior	PP	125 €
CIP05	White opal glass	Matte	PV	115 €
CIP06	Brass	Polished	PL	235 €

Capsule with LED module, translucent white diffuser and heat sink finished in matte black.

Black metallic circular canopy included with power supply incorporated.

2 hanging system options:

- Direct cable to canopy (A)
- Direct cable to ceiling (B)

Suitable for dimming 1-10V / DALI.

(Not included external dimmer switch 1-10V / DALI).

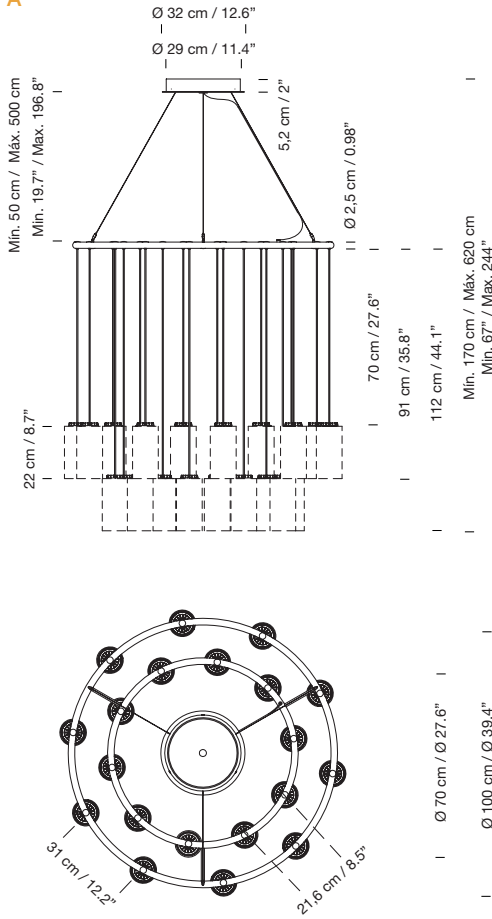
Electric cable length: 5 m / 196.8"

Weight (with porcelain lampshade): 25 Kg / 55 lb

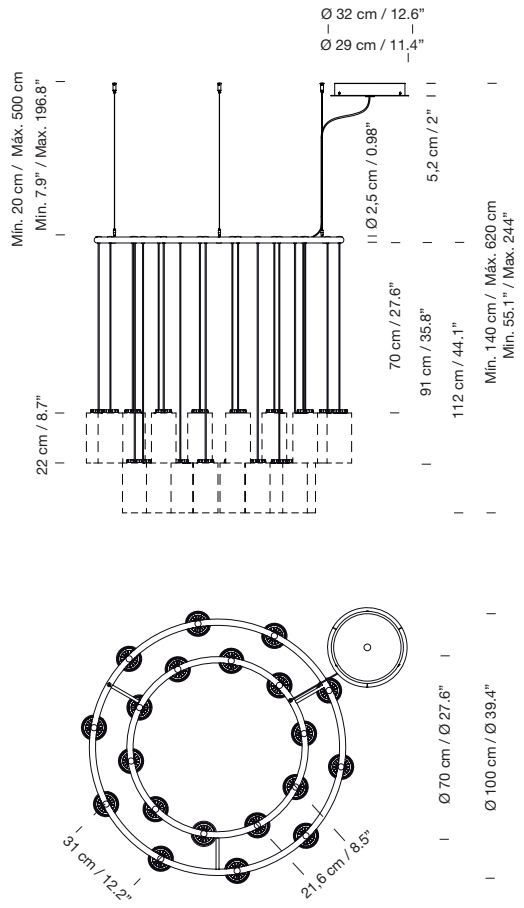
**Light sources included (dimmable):**

20 x Built-in LED 5,7 W

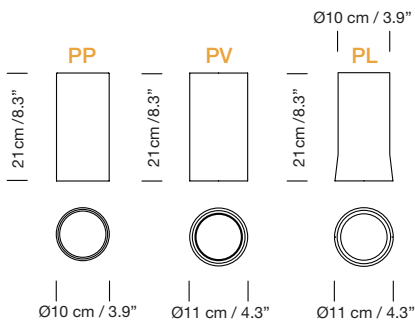
A



B



Lampshades



Cirio Chandelier M

Antoni Arola
2015

For further information on built-in LED go to p. 152

Composition

CIC30* + 30 CIP01	8.945 €
CIC30* + 30 CIP05	8.645 €
CIC30* + 30 CIP06	12.245 €

Code **Black metal circular structure Ø130 cm / 51.2"**

*CIC30	Dimming 1-10 V	5.195 €
*CIC30-DALI	Dimming DALI	5.195 €

	Lampshade	Finish	Drawing	
CIP01	White porcelain	Matte interior and gloss exterior	PP	125 €
CIP05	White opal glass	Matte	PV	115 €
CIP06	Brass	Polished	PL	235 €

Capsule with LED module, translucent white diffuser and heat sink finished in matte black.

Black metallic circular canopy included with power supply incorporated.

2 hanging system options:

- Direct cable to canopy (A)

- Direct cable to ceiling (B)

Suitable for dimming 1-10V / DALI.

(Not included external dimmer switch 1-10V / DALI).

Electric cable length: 5 m / 196.8"

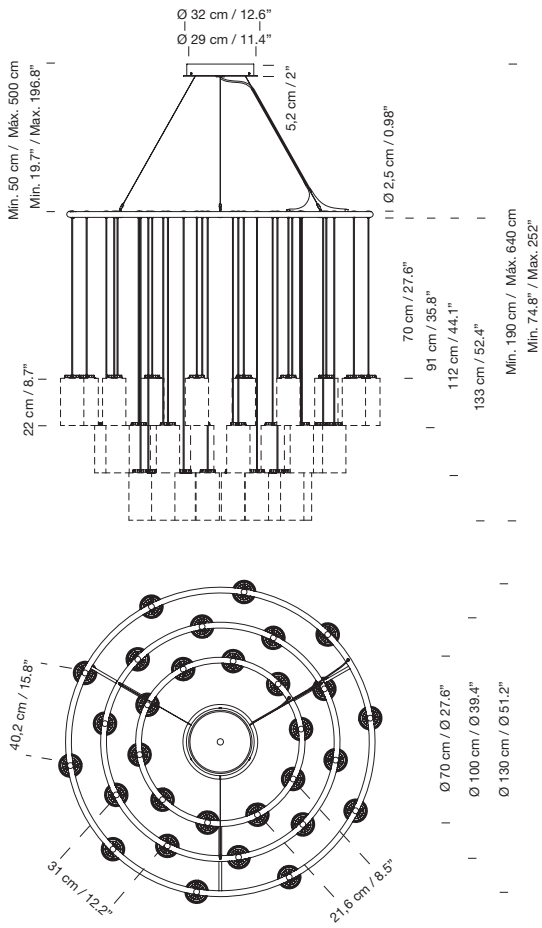
Weight (with porcelain lampshade): 35 kg / 77 lb



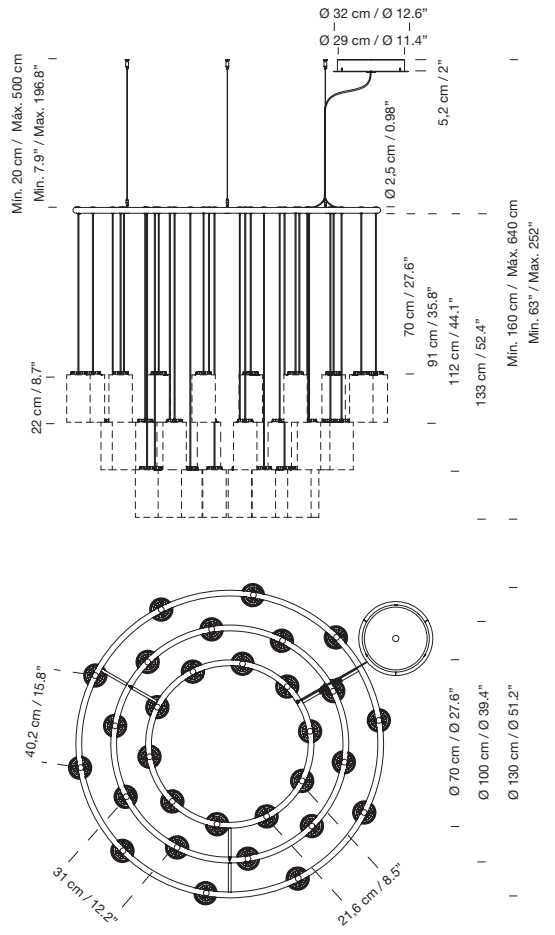
Light sources included (dimmable):

30 x Built-in LED 5,7 W

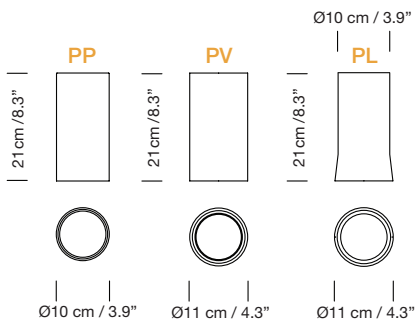
A



B



Lampshades



Cirio Chandelier L

Antoni Arola
2015

For further information on built-in LED go to p. 152

Composition

CIC40* + 40 CIP01	11.935 €
CIC40* + 40 CIP05	11.535 €
CIC40* + 40 CIP06	16.335 €

Code **Black metal circular structure Ø160 cm / 63"**

*CIC40	Dimming 1-10 V	6.935 €
*CIC40-DALI	Dimming DALI	6.935 €

	Lampshade	Finish	Drawing	
CIP01	White porcelain	Matte interior and gloss exterior	PP	125 €
CIP05	White opal glass	Matte	PV	115 €
CIP06	Brass	Polished	PL	235 €

Capsule with LED module, translucent white diffuser and heat sink finished in matte black.

Black metallic circular canopy included with power supply incorporated.

2 hanging system options:

- Direct cable to canopy (A)
- Direct cable to ceiling (B)

Suitable for dimming 1-10V / DALI.

(Not included external dimmer switch 1-10V / DALI).

Electric cable length: 5 m / 196.8"

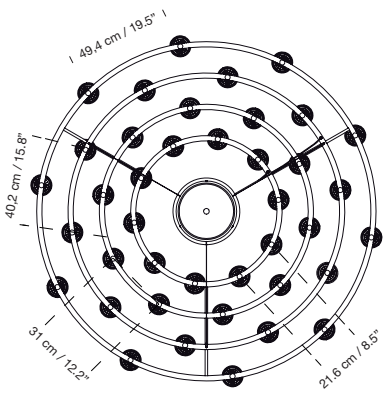
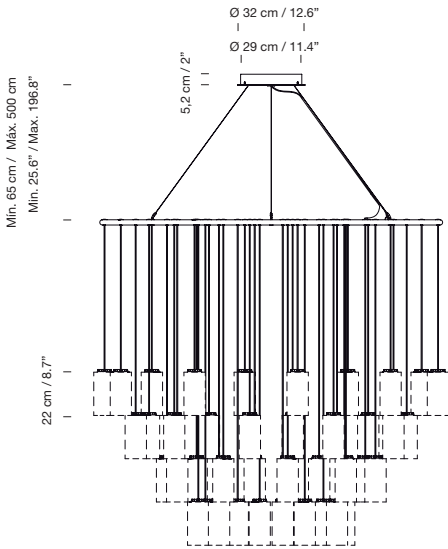
Weight (with porcelain lampshade): 50 kg / 110 lb



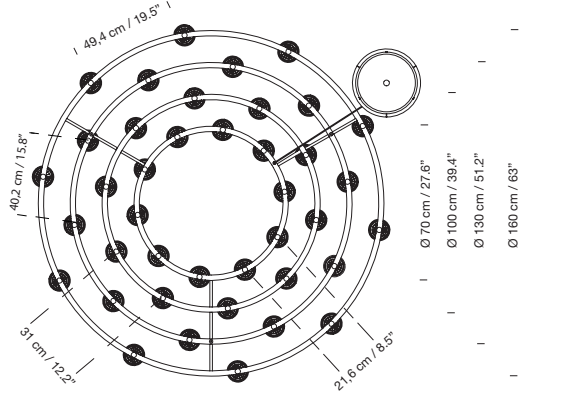
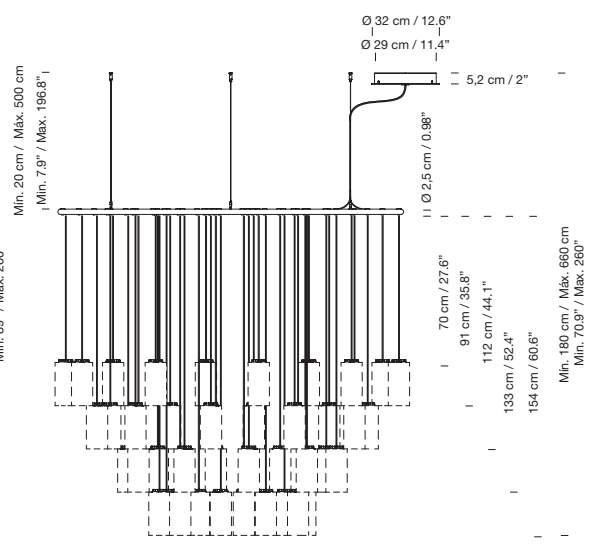
Light sources included (dimmable):

40 x Built-in LED 5,7 W

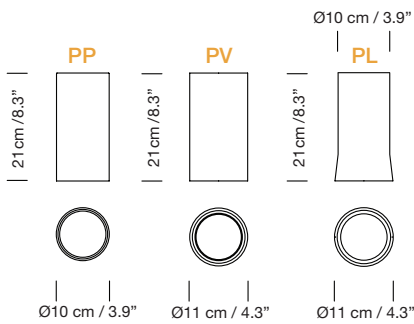
A



B



Lampshades

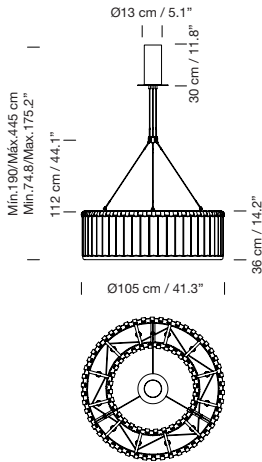


Estadio 105

1 support

Miguel Milá
1992

For further information on light sources go to p. 148



Composition

EST10 + FSCG1 6.635 €

Code	Description	
EST10	Black metal structure with glass block lampshade	5.400 €
FSCG1	1 support hanging system	1.235 €

Light source

6BOM41 LED bulb 13,5 W - 2.700 K 30 €

Stainless steel structure hanging system.

Satin nickel canopy included.

Electric cable length: 4 m / 157.5"

Weight: 93 kg / 205 lb



Bulb socket:

E27 (Max. hgt. 155 mm / 6.1")

Recommended light source:

12 x LED bulb 13,5 W

Other light sources:

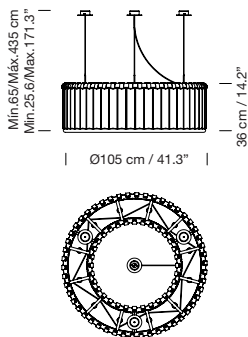
Max. 12 x 75 W

Estadio 105

3 supports

Miguel Milá
1992

For further information on light sources go to p. 148



Composition

EST10 + FSCG3 6.355 €

Code	Description	
EST10	Black metal structure with glass block lampshade	5.400 €
FSCG3	3 supports hanging system	955 €

Light source

6BOM41 LED bulb 13,5 W - 2.700 K 30 €

Stainless steel structure hanging system.

Satin nickel canopy included.

Electric cable length: 4 m / 157.5"

Weight: 93 Kg / 205 lb



Bulb socket:

E27 (Max. hgt. 155 mm / 6.1")

Recommended light source:

12 x LED bulb 13,5 W

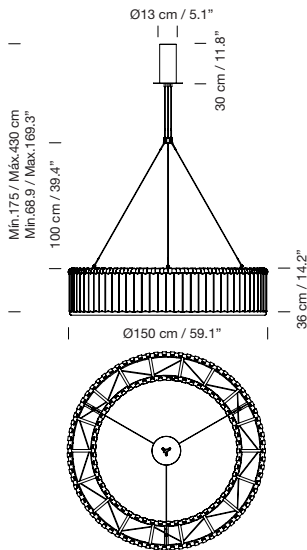
Other light sources:

Max. 12 x 75 W

Estadio 150

1 support

Miguel Milá
1992



Composition

EST15 + FSCG1 8.745 €

Code	Description	
------	-------------	--

EST15	Black metal structure with glass block lampshade	7.510 €
--------------	--	---------

FSCG1	1 support hanging system	1.235 €
--------------	--------------------------	---------

Light source

6BOM41	LED bulb 13,5 W - 2.700 K	30 €
---------------	---------------------------	------

Stainless steel structure hanging system.

Satin nickel canopy included.

Electric cable length: 4 m / 157.5"

Weight: 158 Kg / 348 lb



Bulb socket:

E27 (Max. hgt. 155 mm / 6.1")

Recommended light source:

18 x LED bulb 13,5 W

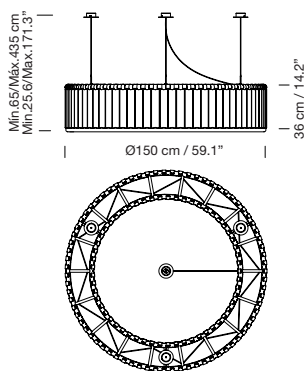
Other light sources:

Max. 18 x 75 W

Estadio 150

3 supports

Miguel Milá
1992



For further information on light sources go to p. 148

Composition

EST15 + FSCG3 8.465 €

Code	Description	
------	-------------	--

EST15	Black metal structure with glass block lampshade	7.510 €
--------------	--	---------

FSCG3	3 supports hanging system	955 €
--------------	---------------------------	-------

Light source

6BOM41	LED bulb 13,5 W - 2.700 K	30 €
---------------	---------------------------	------

Stainless steel structure hanging system.

Satin nickel canopy included.

Electric cable length: 4 m / 157.4"

Weight: 158 Kg / 348 lb



Bulb socket:

E27 (Max. hgt. 155 mm / 6.1")

Recommended light source:

18 x LED bulb 13,5 W

Other light sources:

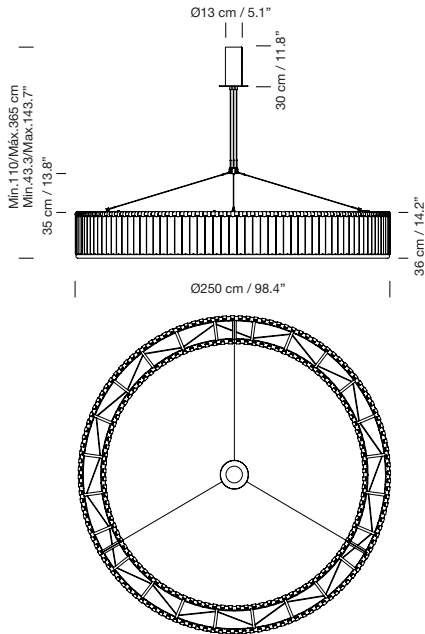
Max. 18 x 75 W

Estadio 250

1 support

Miguel Milá
1992

For further information on light sources go to p. 148



Composition

EST24 + FSCG1 14.460 €

Code Description

EST24 Black metal structure with glass block lampshade 13.225 €
FSCG1 1 support hanging system 1.235 €

Light source

6BOM41 LED bulb 13,5 W - 2.700 K 30 €

The structure is delivered in 2 parts.
 Stainless steel structure hanging system.
 Satin nickel canopy included.
 Electric cable length: 4 m / 157.5"
 Weight: 330 Kg / 728 lb



Bulb socket:

E27 (Max. hgt. 155 mm / 6.1")

Recommended light source:

24 x LED bulb 13,5 W

Recommended light source:

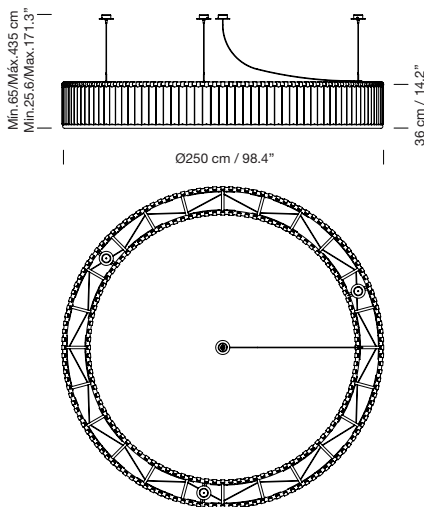
Max. 24 x 75 W

Estadio 250

3 supports

Miguel Milá
1992

For further information on light sources go to p. 148



Composition

EST24 + FSCG3 14.180 €

Code Description

EST24 Black metal structure with glass block lampshade 13.225 €
FSCG3 3 supports hanging system 955 €

Light source

6BOM41 LED bulb 13,5 W - 2.700 K 30 €

The structure is delivered in 2 parts.
 Stainless steel structure hanging system.
 Satin nickel canopy included.
 Electric cable length: 4 m / 157.5"
 Weight: 330 Kg / 728 lb



Bulb socket:

E27 (Max. hgt. 155 mm / 6.1")

Recommended light source:

24 x LED bulb 13,5 W

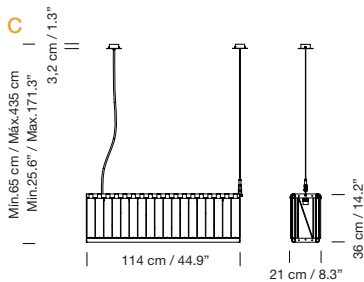
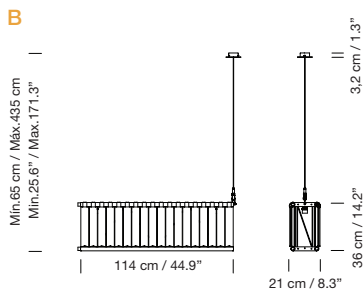
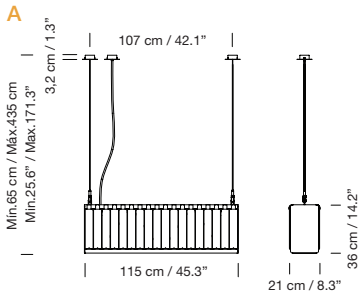
Other light sources:

Max. 24 x 75 W

Línea Estadio

Miguel Milá
2014

For further information on light sources go to p. 148



Examples of composition	Modules	Drawing	
ESTL1	1 module	A	2.945 €
ESTL1 + ESTL2	2 modules	A + B	5.580 €
ESTL1 + 2 ESTL2 + ESTL3	4 modules (with 75 W light source)	A + 2B + C	11.160 €

Code	Structure with hanging system		
ESTL1	Initial module	A	2.945 €
ESTL2	Alignment module	B	2.635 €
ESTL3	Power supply module (> 1200 W)	C	2.945 €

Light source

6BOM41	LED bulb 13,5 W - 2.700 K	30 €
---------------	---------------------------	------

Black metal structure with glass block lampshade.

Stainless steel hanging system.

Satin nickel metallic canopy included.

Maximum 1200W per line (6A). One connection per line.

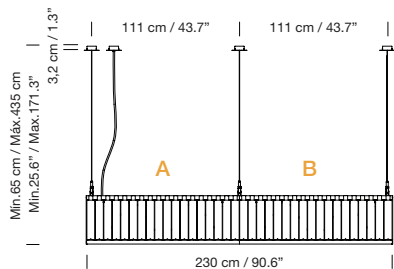
For more than 1200 W, use an extra power supply module (ESTL3).

Electric cable length: 4 m / 157.5"

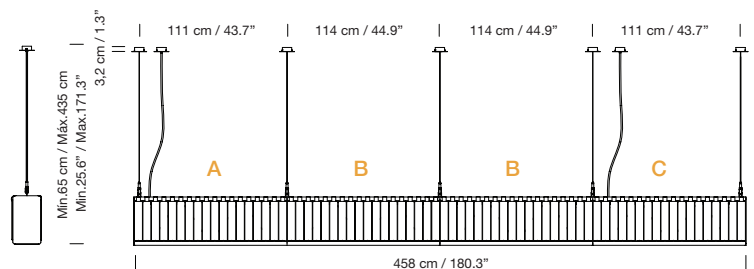
Weight (1 module): 52 kg / 115 lb



Examples of composition: **A + B**



Examples of composition with light source 75 W (> 1200 W): **A + 2B + C**



Bulb socket:

E27 (Max. hgt. 155 mm / 6.1")

Recommended light source:

5 x LED bulb 13,5 W

Other light sources:

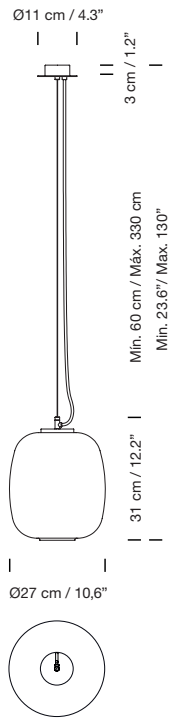
Max. 5 x 75 W

Globo Cesta

Miguel Milá
2018

For further information on light sources go to p. 148

New Product



Code	Description	
CES04	White opal glass lampshade. Black metallic circular canopy.	375 €
Light source		
6BOM40	LED bulb 10 W - 2700K	15 €

Suitable for side entry adaptor.
Electric cable length: 3 m / 118.1"
Weight: 2,7 kg / 5.9 lb



Bulb socket:

E27 (Max. hgt. 130 mm / 5.1")

Recommended light sources:

LED bulb 10 W

Other light sources:

Max. 75 W

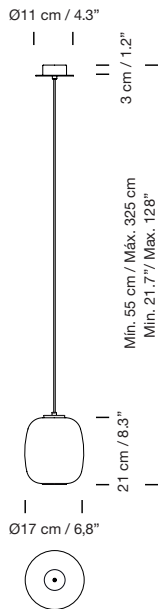
Maximum bulb diameter: 70 mm / 2.7"

Globo Cestita

Miguel Milá
2018

For further information on light sources go to p. 148

New Product



Code	Description	
CES15	White opal glass lampshade. Black metallic circular canopy.	270 €
Light source		
6BOM45	LED bulb 6 W - 2700K	10 €

Suitable for side entry adaptor.
Electric cable length: 3 m / 118.1"
Weight: 1,1 kg / 2.4 lb



Bulb socket:

E27 (Max. hgt. 130 mm / 5.1")

Recommended light sources:

LED bulb 6 W

Other light sources:

Max. 40 W

GT4

Gabriel Ordeig Cole
1983

For further information on light sources go to p. 148

**Composition**

SIS13 + PGT41	425 €
SIS21B + PGT41	420 €
SIS21N + PGT41	420 €
SIS22 + PGT41	420 €

Code	Sisisí canopy (metallic structure)	Cable	Lamp socket	
SIS13	Satin nickel	Black	Simple	100 €
SIS21B	Textured white finish	White	Simple	95 €
SIS21N	Textured white finish	Black	Simple	95 €
SIS22	Textured black finish	Black	Simple	95 €

Lampshade

PGT41	Stitched beige parchment	325 €
--------------	--------------------------	--------------

Light source

6BOM41	LED bulb 13,5 W - 2.700 K	30 €
---------------	---------------------------	-------------

Canopy suitable for side entry adaptor (p. 125).

Electric cable length: 3 m / 118.1"

**Bulb socket:**

E27 (Max. hgt. 155 mm / 6.1")

Recommended light source:

LED bulb 13,5 W

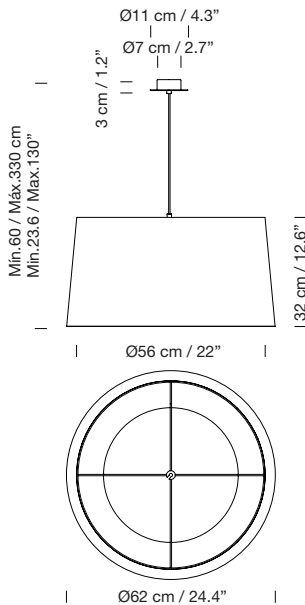
Other light sources:

Max. 60 W

GT5

Santa & Cole Team
1994

For further information on light sources go to p. 148

**Examples of composition**

SIS13 + GT513	370 €
SISD13 + GT507	450 €

Code	Sisipi canopy (metallic structure)	Cable	Lamp socket	
SIS13	Satin nickel	Black	Simple	100 €
SIS21B	Textured white finish	White	Simple	95 €
SIS21N	Textured white finish	Black	Simple	95 €
SIS22	Textured black finish	Black	Simple	95 €
SISD13	Satin nickel	Black	Double	150 €
SISD21B	Textured white finish	White	Double	140 €
SISD21N	Textured white finish	Black	Double	140 €
SISD22	Textured black finish	Black	Double	140 €

Ribbon lampshade

GT513	Natural	270 €
GT515	Red-amber	270 €
GT516	Black	270 €
GT507	Terracotta Raw Color	300 €
GT508	Mustard Raw Color	300 €
GT509	Green Raw Color	300 €

Light source

6BOM40	LED bulb 10 W - 2.700 K	15 €
---------------	-------------------------	-------------

Lower disk in translucent white PVC Ø 40 cm / 15.7".

Canopy suitable for side entry adaptor (p. 125).

Electric cable length: 3 m / 118.1"

**Bulb socket:**

E27 (Max. hgt. 130 mm / 5.1")

Recommended light source:

1 x / 2 x LED bulb 10 W

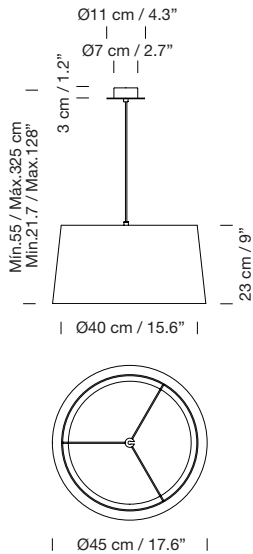
Other light sources:

Max. 1 x / 2 x 100 W

GT6

Santa & Cole Team
1994

For further information on light sources go to p. 148

**Examples of composition**

SIS13 + GT613	305 €
SISD13 + GT607	375 €

Code	Sisis canopy (metallic structure)	Cable	Lamp socket	
SIS13	Satin nickel	Black	Simple	100 €
SIS21B	Textured white finish	White	Simple	95 €
SIS21N	Textured white finish	Black	Simple	95 €
SIS22	Textured black finish	Black	Simple	95 €
SISD13	Satin nickel	Black	Double	150 €
SISD21B	Textured white finish	White	Double	140 €
SISD21N	Textured white finish	Black	Double	140 €
SISD22	Textured black finish	Black	Double	140 €

Lampshade

GT613	Natural ribbon	205 €
GT615	Red-amber ribbon	205 €
GT616	Black ribbon	205 €
GT607	Terracotta Raw Color ribbon	225 €
GT608	Mustard Raw Color ribbon	225 €
GT609	Green Raw Color ribbon	225 €
GT618	White linen	205 €

Light source

6BOM40	LED bulb 10 W - 2.700 K	15 €
---------------	-------------------------	-------------

Lower disk in translucent white PVC Ø 36 cm / 14.2".

Canopy suitable for side entry adaptor (p. 125).

Electric cable length: 3 m / 118.1"

**Bulb socket:**

E27 (Max. hgt. 130 mm / 5.1")

Recommended light source:

1 x / 2 x LED bulb 10 W

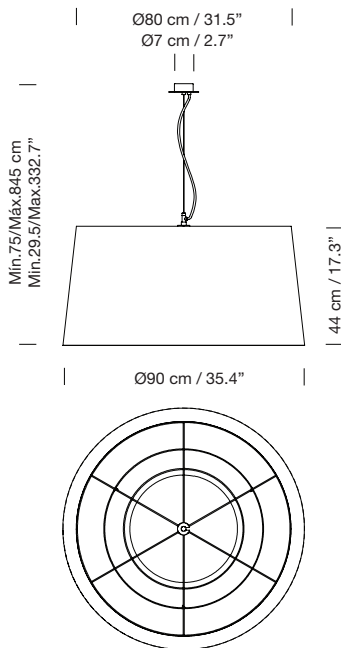
Other light sources:

Max. 1 x / 2 x 100 W

GT7

Santa & Cole Team
2000

For further information on light sources go to p. 148

**Composition**

GT701 + GT722 + GT7Px*	840 €
GT701 + GT722 + GT7Px**	895 €
GT701 + GT713 + GT7Px*	850 €
GT701 + GT713 + GT7Px**	905 €

Code Socket assembly

GT701	White with black cable	220 €
--------------	------------------------	-------

Circular metal canopy

GT722	Black	80 €
GT713	Satin nickel	90 €

Ribbon lampshade

*GT7P3	Natural	540 €
*GT7P5	Red-amber	540 €
*GT7P6	Black	540 €
**GT7P7	Terracotta Raw Color	595 €
**GT7P8	Mustard Raw Color	595 €
**GT7P9	Green Raw Color	595 €

Light source

6BOM41	LED bulb 13,5 W - 2.700 K	30 €
---------------	---------------------------	------

Black metal disc on the upper part: Ø 40 cm / 15.6"

and translucent white PVC diffuser disc

on the lower part: Ø 60 cm / 23.7"

Ceiling rosette suitable for side entry adaptor (p. 125).

Electric cable length: 8 m / 315"

Weight: 7 Kg / 15 lb

**Bulb socket:**

E27 (Max. hgt. 137 mm / 5.4")

Recommended light source:

3 x LED bulb 13,5 W

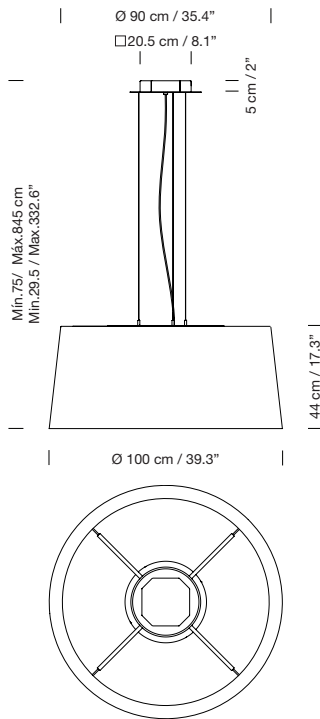
Other light sources:

Max. 3 x 60 W

GT1000

Santa & Cole Team
2013

For further information on built-in LED go to p. 152

**Composition**

GT1502 + GT10Px*	2.400 €
GT1502 + GT10Px**	2.485 €

Code Electrical structure + lamp socket

GT1502	LED	1.160 €
---------------	-----	---------

Ribbon lampshade

*GT10P3	Natural	1.240 €
*GT10P5	Red-amber	1.240 €
*GT10P6	Black	1.240 €
**GT10P7	Terracotta Raw Color	1.325 €
**GT10P8	Mustard Raw Color	1.325 €
**GT10P9	Green Raw Color	1.325 €

Capsule with LED module, translucent white diffuser and heat sink with black matte finish.

Black metallic circular canopy included.

Lower disk in white translucent PVC: Ø 83 cm. / 32.7".

Suitable for dimming 1-10V. (Not included external dimmer switch 1-10V).

Electric cable length: 8 m / 315"

Weight: 12 Kg / 26.5 lb

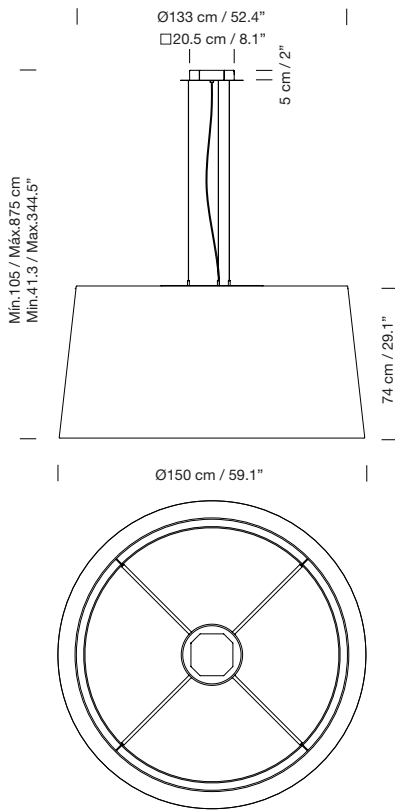
**Light source included (dimmable):**

Built-in LED 78 W

GT1500

Santa & Cole Team
2011

For further information on built-in LED go to p. 152

**Composition**

GT1502 + GT15Px*	2.995 €
GT1502 + GT15xx**	3.130 €

Code Electrical structure + lamp socket

GT1502	LED	1.160 €
---------------	-----	----------------

Ribbon lampshade

*GT15P3	Natural	1.835 €
*GT15P5	Red-amber	1.835 €
*GT15P6	Black	1.835 €
**GT15P7	Terracotta Raw Color	1.970 €
**GT15P8	Mustard Raw Color	1.970 €
**GT15P9	Green Raw Color	1.970 €

Capsule with LED module, translucent white diffuser and heat sink with black matte finish.

Black metallic circular canopy included.

Lower disk in white translucent PVC: Ø 125 cm / 49.2".

Suitable for dimming 1-10V. (Not included external dimmer switch 1-10V).

Electric cable length: 8 m / 315"

Weight: 17 Kg / 37.5 lb



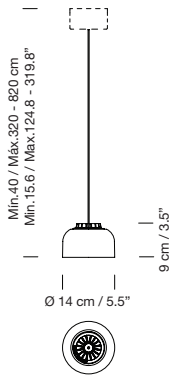
Light source included (dimmable):

Built-in LED 78 W

HeadHat Bowl S

Santa & Cole Team
2013

For further information on built-in LED go to p. 152



Examples of composition

HEFxx* + HEL03 + HATS1x*	295 €
HEFxx* + HEL08 + HATS1x*	325 €
HEFD0x** + HEL03 + HATS1x*	360 €
HEFD0x** + HEL08 + HATS1x*	390 €

Code	Circular metal canopy + power supply	Drawing	
*HEF01	Black surface (not dimmable)	A	115 €
*HEF02	White surface (not dimmable)	A	115 €
**HEFD01	Black surface dimmable 1-10V ^[1]	A	180 €
**HEFD02	White surface dimmable 1-10V ^[1]	A	180 €
*HEF12	White built-in (not dimmable)	B	115 €

LED capsule with electric black cable

HEL03	3 m / 118.1"	90 €
HEL08	8 m / 315"	120 €

Lampshade

*HATS12	White ceramic S	90 €
*HATS11	Black ceramic S	90 €

Capsule with LED module, translucent white diffuser and heat sink with matte black finish.

Matte finish interior and gloss exterior lampshade.

^[1] Suitable for dimming 1-10V. (Not included external dimmer switch 1-10V).

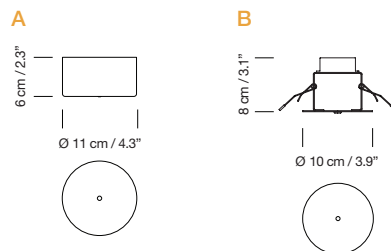
S&C LED capsule suitable with HeadLed System lampshades (p. 127) and Cirio structures (p. 48-49).

Electric cable length: 3 m / 118.1" - 8 m / 315"

Weight: 1,1 kg / 2.4 lb



Canopies



Light source included:

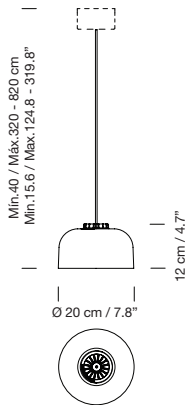
Not dimmable (HEF01 / HEF02 / HEF12): Built-in LED 3,7 W

Dimmable (HEFD01 / HEFD02): Built-in LED 7,7 W

HeadHat Bowl L

Santa & Cole Team
2013

For further information on built-in LED go to p. 152



Examples of composition

HEFxx* + HEL03 + HATL1x*	340 €
HEFxx* + HEL08 + HATL1x*	370 €
HEFD0x** + HEL03 + HATL1x*	405 €
HEFD0x** + HEL08 + HATL1x*	435 €

Code	Circular metal canopy + power supply	Drawing	
*HEF01	Black surface (not dimmable)	A	115 €
*HEF02	White surface (not dimmable)	A	115 €
**HEFD01	Black surface dimmable 1-10V ^[1]	A	180 €
**HEFD02	White surface dimmable 1-10V ^[1]	A	180 €
*HEF12	White built-in (not dimmable)	B	115 €

LED capsule with electric black cable

HEL03	3 m / 118.1"	90 €
HEL08	8 m / 315"	120 €

Lampshade

*HATL12	White ceramic L	135 €
*HATL11	Black ceramic L	135 €

Capsule with LED module, translucent white diffuser and heat sink with matte black finish.

Matte finish interior and gloss exterior lampshade.

^[1] Suitable for dimming 1-10V. (Not included external dimmer switch 1-10V).

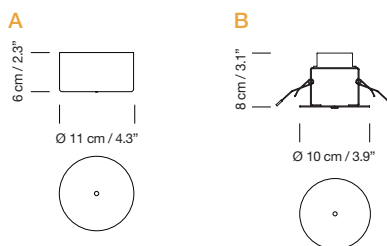
S&C LED capsule suitable with HeadLed System lampshades (p. 127) and Cirio structures. (p. 48-49).

Electric cable length: 3 m / 118.1" - 8 m / 315"

Weight: 1,6 kg / 3.5 lb



Canopies



Light source included:

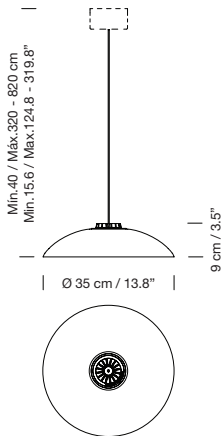
Not dimmable (HEF01 / HEF02 / HEF12): Built-in LED 3,7 W

Dimmable (HEFD01 / HEFD02): Built-in LED 7,7 W

HeadHat Plate S

Santa & Cole Team
2013

For further information on built-in LED go to p. 152



Examples of composition

HEFxx* + HEL03 + HATS02	385 €
HEFxx + HEL08 + HATS02	415 €
HEFD0x** + HEL03 + HATS02	450 €
HEFD0x** + HEL08 + HATS02	480 €

Code	Circular metal canopy + power supply	Drawing	
*HEF01	Black surface (not dimmable)	A	115 €
*HEF02	White surface (not dimmable)	A	115 €
**HEFD01	Black surface dimmable 1-10V ^[1]	A	180 €
**HEFD02	White surface dimmable 1-10V ^[1]	A	180 €
*HEF12	White built-in (not dimmable)	B	115 €

LED capsule with electric black cable

HEL03	3 m / 118.1"	90 €
HEL08	8 m / 315"	120 €

Metallic lampshade

HATS02	White S	165 €
--------	---------	-------

Capsule with LED module, translucent white diffuser and heat sink with matte black finish.

Matte finish lampshade.

Includes coupling washer in white methacrylate.

^[1] Suitable for dimming 1-10V. (Not included external dimmer switch 1-10V).

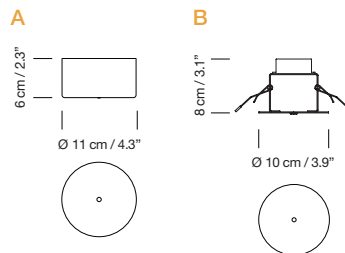
S&C LED capsule suitable with HeadLed System lampshades (p. 127) and Cirio structures (p. 48-49).

Electric cable length: 3 m / 118.1" - 8 m / 315"

Weight: 1,5 kg / 3 lb



Canopies



Light source included:

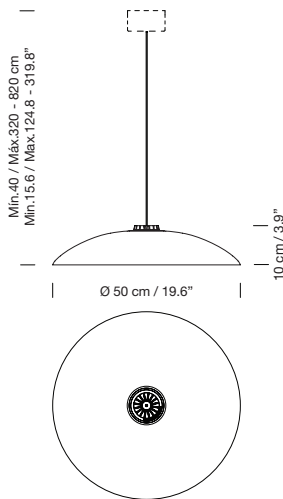
Not dimmable (HEF01 / HEF02 / HEF12): Built-in LED 3,7 W

Dimmable (HEFD01 / HEFD02): Built-in LED 7,7 W

HeadHat Plate M

Santa & Cole Team
2013

For further information on built-in LED go to p. 152



Examples of composition

HEFxx* + HEL03 + HATM02	415 €
HEFxx* + HEL08 + HATM02	445 €
HEFD0x** + HEL03 + HATM02	480 €
HEFD0x** + HEL08 + HATM02	510 €

Code	Circular metal canopy + power supply	Drawing	
*HEF01	Black surface (not dimmable)	A	115 €
*HEF02	White surface (not dimmable)	A	115 €
**HEFD01	Black surface dimmable 1-10V ^[1]	A	180 €
**HEFD02	White surface dimmable 1-10V ^[1]	A	180 €
*HEF12	White built-in (not dimmable)	B	115 €

LED capsule with electric black cable

HEL03	3 m / 118.1"	90 €
HEL08	8 m / 315"	120 €

Metallic lampshade

HATM02	White M	210 €
--------	---------	-------

Capsule with LED module, translucent white diffuser and heat sink with matte black finish.

Matte finish lampshade.

Includes coupling washer in white methacrylate.

^[1] Suitable for dimming 1-10V. (Not included external dimmer switch 1-10V).

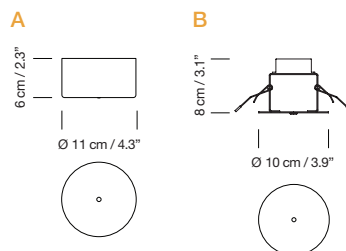
S&C LED capsule suitable with HeadLed System lampshades (p. 127) and Cirio structures (p. 48-49).

Electric cable length: 3 m / 118.1" - 8 m / 315"

Weight: 1,9 kg / 4.2 lb



Canopies



Light source included:

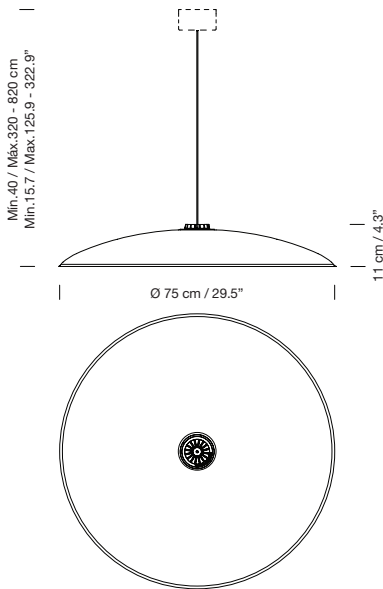
Not dimmable (HEF01 / HEF02 / HEF12): Built-in LED 3,7 W

Dimmable (HEFD01 / HEFD02): Built-in LED 7,7 W

HeadHat Plate L

Santa & Cole Team
2013

For further information on built-in LED go to p. 152



Examples of composition

HEFxx* + HEL03 + HATL02	520 €
HEFxx + HEL08 + HATL02	550 €
HEFD0x** + HEL03 + HATL02	585 €
HEFD0x** + HEL08 + HATL02	615 €

Code	Circular metal canopy + power supply	Drawing	
*HEF01	Black surface (not dimmable)	A	115 €
*HEF02	White surface (not dimmable)	A	115 €
**HEFD01	Black surface dimmable 1-10V ^[1]	A	180 €
**HEFD02	White surface dimmable 1-10V ^[1]	A	180 €
*HEF12	White built-in (not dimmable)	B	115 €

LED capsule with electric black cable

HEL03	3 m / 118.1"	90 €
HEL08	8 m / 315"	120 €

Metallic lampshade

HATL02	White L	315 €
--------	---------	-------

Capsule with LED module, translucent white diffuser and heat sink with matte black finish.

Matte finish lampshade.

Includes coupling washer in white methacrylate.

^[1] Suitable for dimming 1-10V.

(Not included external dimmer switch 1-10V).

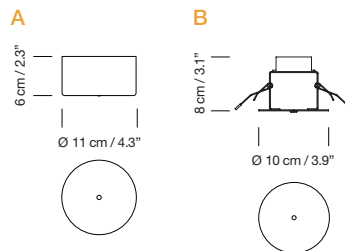
S&C LED capsule suitable with HeadLed System lampshades (p. 127) and Cirio structures (p. 48-49).

Electric cable length: 3 m / 118.1" - 8 m / 315"

Weight: 3 kg / 6.8 lb



Canopies



Light source included:

Not dimmable (HEF01 / HEF02 / HEF12): Built-in LED 3,7 W

Dimmable (HEFD01 / HEFD02): Built-in LED 7,7 W

La Colilla
Carles Riart
1976

For further information on light sources go to p. 148

Code	Description	
COL01	Methacrylate diffuser tube	225 €

Plug without switch.

Electric cable length: 3 m / 118.1"

Weight: 1 kg / 2.2 lb

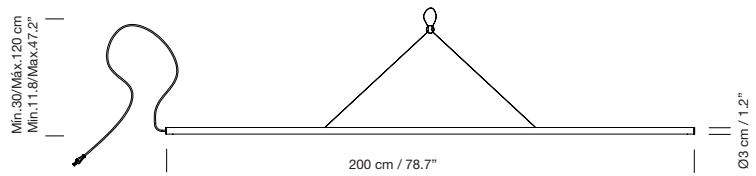
**Light source included:**
Neon bulbs strip 6 W

Lámina 45

Antoni Arola
2018

For further information on built-in LED go to p. 152

New Product

Code	Description	
------	-------------	--

LAM451	Black metal structure with matte finish. S&C white metallic shade with brilliant finish (exterior).	560 €
---------------	--	--------------

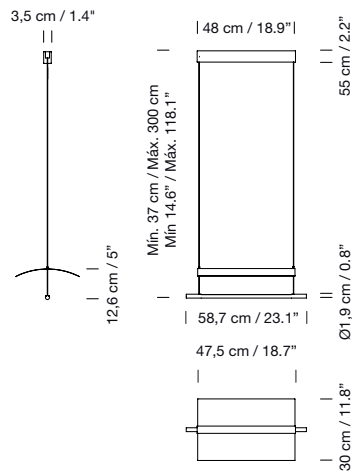
Polycarbonate diffuser.

Suitable for dimming 0-10V. (Not included external dimmer switch 0-10V).

Electric cable length: 3 m / 118.1"

Weight: 2,5 Kg / 5.5 lb

UL listing is in progress.



Light source included (dimmable):

Built-in LED 18 W

Lámina 45 System

Antoni Arola
2018

For further information on built-in LED go to p. 152

New Product

Examples of composition	Modules	Drawing	
LAM452	2 modules	A	1.075 €
LAM452 + LAM453	3 modules	A + B	1.660 €
LAM452 + 2 LAM453	4 modules	A + 2B	2.245 €

Code	Structure with hanging system		
LAM452	Initial and final double module	A	1.075 €
LAM453	Intermediate module	B	585 €

Black metal structure with matte finish.

S&C white metallic shade with brilliant finish (exterior).

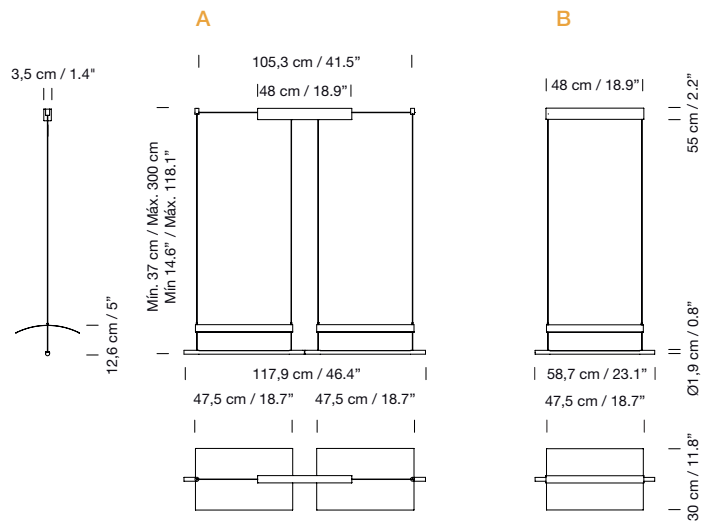
Polycarbonate diffuser.

Suitable for dimming 0-10V. (Not included external dimmer switch 0-10V).

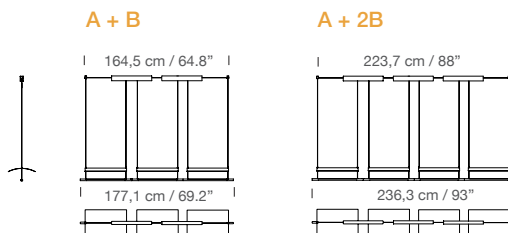
Electric cable length: 3 m / 118.1"

Weight: 5,2 Kg / 11.5 lb

UL listing is in progress.



Examples of composition



Light source included (dimmable):

Built-in LED 31 W

Lámina 85

Antoni Arola
2018

For further information on built-in LED go to p. 152

New Product

Code	Description	
------	-------------	--

LAM851	Black metal structure with matte finish. S&C white metallic shade with brilliant finish (exterior).	660 €
---------------	--	--------------

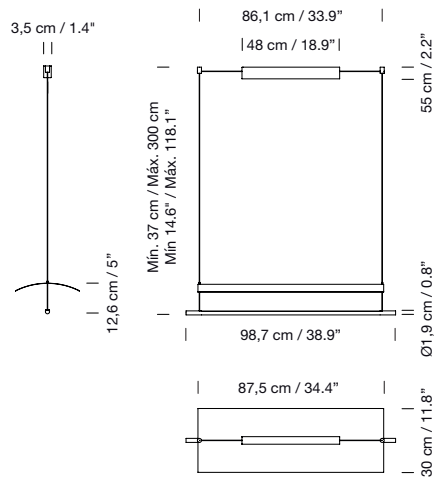
Polycarbonate diffuser.

Suitable for dimming 0-10V. (Not included external dimmer switch 0-10V).

Electric cable length: 3 m / 118.1"

Weight: 3,5 Kg / 7.7 lb

UL listing is in progress.



Light source included (dimmable):

Built-in LED 31 W

Lámina 85 System

Antoni Arola
2018

For further information on built-in LED go to p. 152

New Product

Examples of composition	Modules	Drawing	
LAM852	2 modules	A	1.260 €
LAM852 + LAM853	3 modules	A + B	1.950 €
LAM852 + 2 LAM853	4 modules	A + 2B	2.640 €

Code	Structure with hanging system		
LAM852	Initial and final double module	A	1.260 €
LAM853	Intermediate module	B	690 €

Black metal structure with matte finish.

S&C white metallic shade with brilliant finish (exterior).

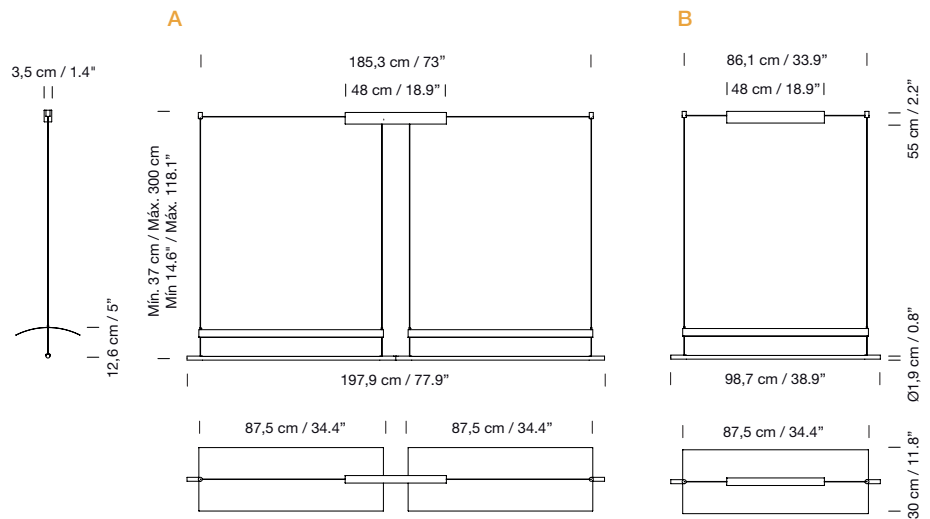
Polycarbonate diffuser.

Suitable for dimming 0-10V. (Not included external dimmer switch 0-10V).

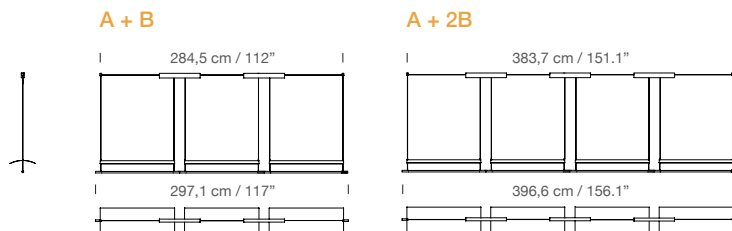
Electric cable length: 3 m / 118.1"

Weight: 5,2 Kg / 11.5 lb

UL listing is in progress.



Examples of composition



Light source included (dimmable):

Built-in LED 54 W

Lámina 165

Antoni Arola
2018

For further information on built-in LED go to p. 152

New Product

Code	Description	
------	-------------	--

LAM1651	Black metal structure with matte finish.	815 €
----------------	--	--------------

S&C white metallic shade with brilliant finish (exterior).

Polycarbonate diffuser.



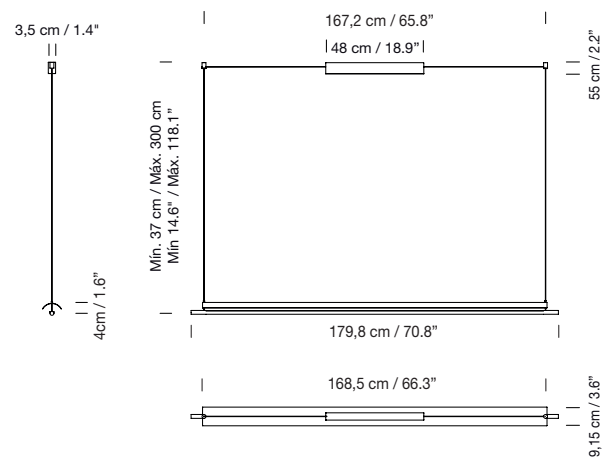
Suitable for dimming 0-10V.

(Not included external dimmer switch 0-10V).

Electric cable length: 3 m / 118.1"

Weight: 3,4 Kg / 7.5 lb

UL listing is in progress.



Light source included (dimmable):

Built-in LED 54 W

Lámina Mayor

Antoni Arola
2018

For further information on built-in LED go to p. 152

New Product

Code	Description	
LAMM	Black metal structure with matte finish. S&C white metallic shade with brilliant finish (exterior).	890 €

Polycarbonate diffuser.

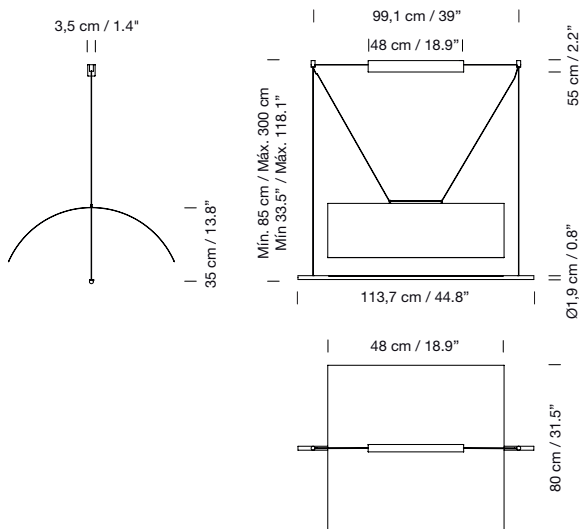
Suitable for dimming 0-10V.

(Not included external dimmer switch 0-10V).

Electric cable length: 3 m / 118.1"

Weight: 10,5 Kg / 23.1 lb

UL listing is in progress.



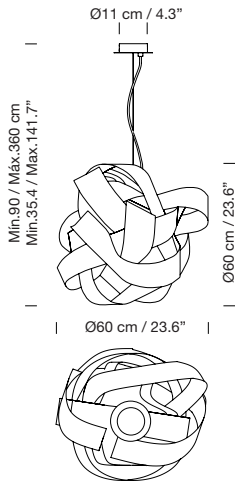
Light source included (dimmable):

Built-in LED 44 W

Leonardo 60

Antoni Arola
2003

For further information on light sources go to p. 148



Code	Description	
LEO02	Slats of natural birch wood	1.125 €

Stainless steel inner structure.
White metallic circular canopy included.
Electric cable length: 3 m / 118.1"
Weight: 3 Kg / 6.6 lb

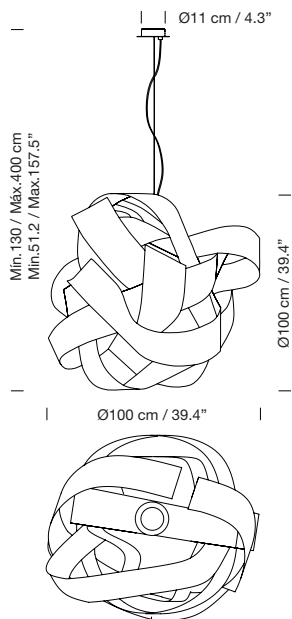


Bulb socket:
E27 (Max. hgt. 155 mm / 6.1")
Light source included:
LED bulb 13,5 W

Leonardo 100

Antoni Arola
2003

For further information on light sources go to p. 148



Code	Description	
LEO12	Slats of natural birch wood	2.990 €

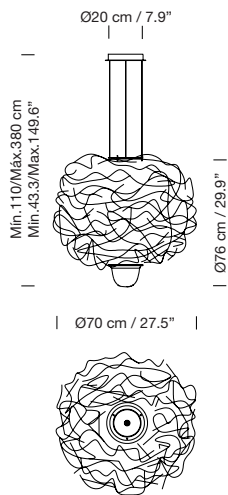
Stainless steel inner structure.
White metallic circular canopy included.
Electric cable length: 3 m / 118.1"
Weight: 3,7 kg / 8.2 lb



Bulb socket:
E27 (Max. hgt. 155 mm / 6.1")
Light source included:
LED bulb 13,5 W

Liceo 70

Lluís Dilmé, Xavier Fabré,
Eulàlia Serra,
Ignasi de Solà-Morales
1999



Code	Description	
LIC11	Satin brass structure Bronze net lampshade	5.325 €

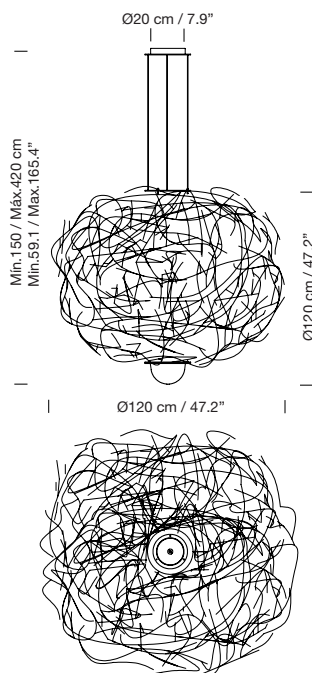
Circular polished brass canopy included.
Electric cable length: 3 m / 118.1"
Weight: 15 kg / 33 lb



Light source included

Liceo 120

Lluís Dilmé, Xavier Fabré,
Eulàlia Serra,
Ignasi de Solà-Morales
1999



Code	Description	
LIC31	Satin brass structure Bronze net lampshade	13.660 €

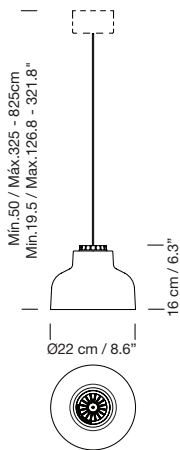
Circular polished brass canopy included.
Electric cable length: 3 m / 118.1"
Weight: 45 kg / 99 lb



Light source included

M64Miguel Milá
1964

For further information on built-in LED go to p. 152

**Examples of composition**

HEFxx* + HEL03 + M640x*	405 €
HEFxx* + HEL08 + M6404	520 €
HEFD0x** + HEL03 + M640x*	470 €
HEFD0x** + HEL08 + M6404	585 €

Code	Circular metal canopy + power supply	Drawing	
*HEF01	Black surface (not dimmable)	A	115 €
*HEF02	White surface (not dimmable)	A	115 €
**HEFD01	Black surface dimmable 1-10V ^[1]	A	180 €
**HEFD02	White surface dimmable 1-10V ^[1]	A	180 €
*HEF12	White built-in (not dimmable)	B	115 €

LED capsule with electric black cable

HEL03	3 m / 118.1"	90 €
HEL08	8 m / 315"	120 €

Lampshade

*M6401	White matte aluminium	200 €
*M6402	Black matte aluminium	200 €
*M6403	Polished aluminium	200 €
*M6405	Brilliant red aluminium	200 €
M6404	Brass	285 €

Capsule with LED module, translucent white diffuser and heat sink with black matte finish.

^[1] Suitable for dimming 1-10V. (Not included external dimmer switch 1-10V).

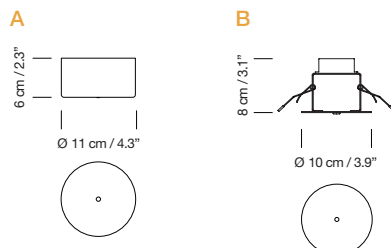
S&C LED capsule suitable with HeadLed System lampshades (p. 127).

and Cirio structures (p. 48-49).

Electric cable length: 3 m / 118.1 - 8 m / 315"

Weight with brass lampshade: 1,35 kg / 2.98 lb

Weight with aluminium lampshade: 1 kg / 2.2 lb

**Canopies****Light source included:**

Not dimmable (HEF01 / HEF02 / HEF12): Built-in LED 3,7 W

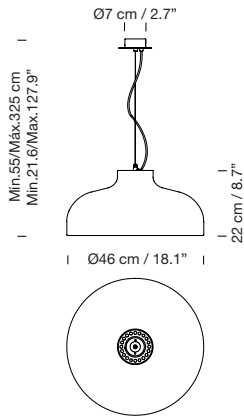
Dimmable (HEFD01 / HEFD02): Built-in LED 7,7 W

M68

Miguel Milá

1962

For further information on light sources go to p. 148



Code	Lampshade	Circular canopy	
CAM02	White matte aluminium	White	405 €
CAM03	Polished aluminium	Chrome-plated	360 €
CAM05	Brilliant red aluminium	Red	420 €
CAM06	Black matte aluminium	Black	420 €

Light source

6BOM40	LED bulb 10 W - 2700K	15 €
---------------	-----------------------	-------------

Canopy suitable for side entry adaptor (p. 125).

Electric cable length: 3 m / 118.1"

Weight: 1,6 kg / 3.5 lb

**Bulb socket:**

E27 (Max. hgt. 130 mm / 5.1")

Recommended light source:

LED bulb 10 W

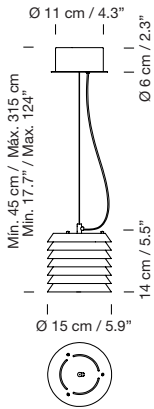
Other light sources:

Max. 100 W

Maija 15

Ilmari Tapiovaara
1955

For further information on built-in LED go to p. 152



Code Metallic lampshades

MAI32L	White	505 €
MAI324L	Nude rose	505 €

Diffuser in white translucent glass.

White metallic circular canopy included.

Suitable for dimming 1-10V. (Not included external dimmer switch 1-10V).

Electric cable length: 3 m / 118.1"

Weight: 1,4 kg / 3.1 lb



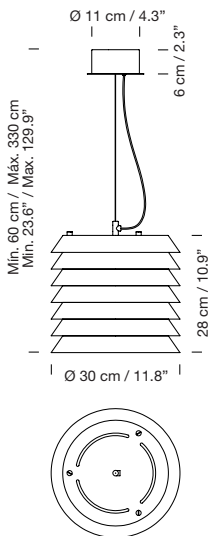
Light source included (dimmable):

Built-in LED 6 W

Maija 30

Ilmari Tapiovaara
1955

For further information on built-in LED go to p. 152



Code Metallic lampshades

MAI31L	Whites	650 €
---------------	--------	-------

Diffuser in white translucent glass.

White metallic circular canopy included.

Suitable for dimming 1-10V. (Not included external dimmer switch 1-10V).

Electric cable length: 3 m / 118.1"

Weight: 2,9 kg / 6.4 lb

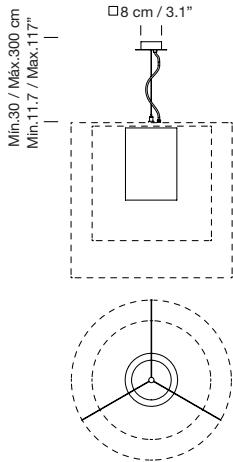


Light source included (dimmable):

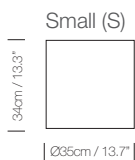
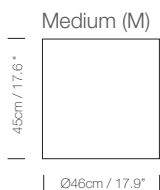
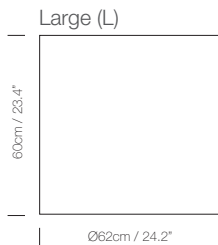
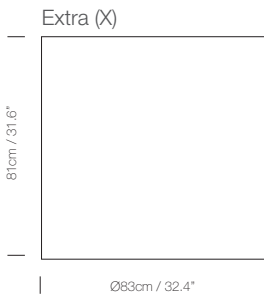
Built-in LED 8,4 W

MoaréAntoni Arola
2003

For further information on light sources go to p. 148



Lampshades



Examples of composition

MRE31 + MREm*	605 €
MRE31 + MREm* + MRES*	745 €
MRE31 + MREL*	690 €
MRE31 + MREL* + MREm*	935 €
MRE31 + MREx*	910 €
MRE31 + MREx* + MREm*	1.155 €
MRE31 + MREx* + MREL*	1.240 €

Code	Structure	
MRE31	With cylindrical acrylsatiné methacrylate diffuser	360 €

Lampshade S

*MRES3	White	140 €
*MRES5	Red	140 €
*MRES6	Grey	140 €

Lampshade M

*MREM3	White	245 €
*MREM5	Red	245 €
*MREM6	Grey	245 €
*MREM7	Black	245 €

Lampshade L

*MREL3	White	330 €
*MREL5	Red	330 €
*MREL6	Grey	330 €
*MREL7	Black	330 €

Lampshade X

*MREX3	White	550 €
*MREX5	Red	550 €
*MREX6	Grey	550 €
*MREX7	Black	550 €

Light source

6BOM40	LED bulb 10 W - 2.700 K	15 €
--------	-------------------------	------

Metallic graphite black square canopy included.

Polyester lampshade.

Electric cable length: 3 m / 118.1"



Bulb socket:

E27 (Max. hgt. 130 mm / 5.1")

Recommended light source:

3 x LED bulb 10 W

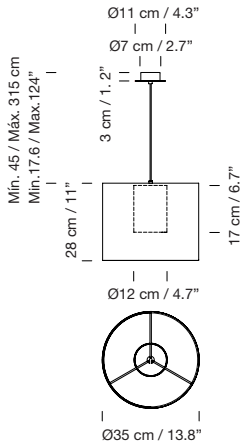
Other light sources:

Max. 3 x 100 W

Moaré Liviana S

Antoni Arola
2017

For further information on light sources go to p. 148



Composition

SIS13 + MRESL3	295 €
SIS21B + MRESL3	290 €
SIS21N + MRESL3	290 €
SIS22 + MRESL3	290 €

Code	Sisísí canopy	Cable	Lamp socket	
SIS13	Satin nickel	Black	Simple	100 €
SIS21B	Textured white finish	White	Simple	95 €
SIS21N	Textured white finish	Black	Simple	95 €
SIS22	Textured black finish	Black	Simple	95 €

Polyester lampshade

MRESL3	White S	195 €
---------------	---------	--------------

Light source

6BOM40	LED bulb 10 W - 2.700 K	15 €
---------------	-------------------------	-------------

White cardboard cylindrical diffuser.

Electric cable length: 3 m / 118.1"



Bulb socket:

E27 (Max. hgt. 155 mm / 6.1")

Recommended light source:

LED bulb 10 W

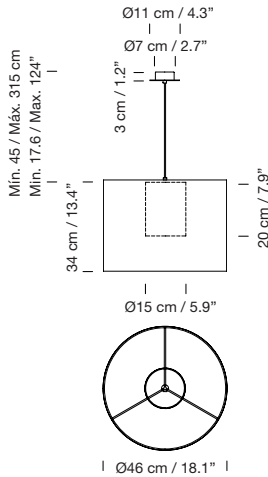
Other light sources:

Max. 60 W

Moaré Liviana M

Antoni Arola
2017

For further information on light sources go to p. 148

**Composition**

SIS13 + MREML3	400 €
SIS21B + MREML3	395 €
SIS21N + MREML3	395 €
SIS22 + MREML3	395 €

Code	Sisipi canopy	Cable	Lamp socket	
SIS13	Satin nickel	Black	Simple	100 €
SIS21B	Textured white finish	White	Simple	95 €
SIS21N	Textured white finish	Black	Simple	95 €
SIS22	Textured black finish	Black	Simple	95 €

Polyester lampshade

MREML3	White M	300 €
---------------	---------	--------------

Light source

6BOM40	LED bulb 10 W - 2.700 K	15 €
---------------	-------------------------	-------------

White cardboard cylindrical diffuser.
Electric cable length: 3 m / 118.1"

**Bulb socket:**

E27 (Max. hgt. 155 mm / 6.1")

Recommended light source:

LED bulb 10 W

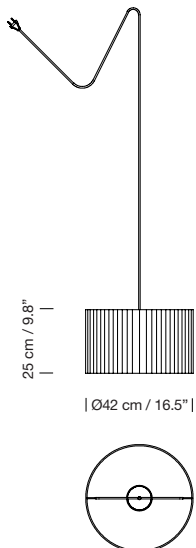
Other light sources:

Max. 60 W

Nagoya

Ferran Freixa
1961

For further information on light sources go to p. 148



Code	Description	
NAGN3	Wood strips lampshade	350 €

Light source

6BOM40	LED bulb 10 W - 2.700 K	15 €
---------------	-------------------------	-------------

With plug.
Electric cable length: 3 m / 118.1"
Weight: 1,1 kg / 2.4 lb

**Bulb socket:**

E27 (Max. hgt. 115 mm / 4.5")

Recommended light source:

LED bulb 10 W

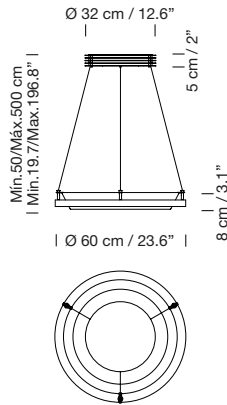
Other light sources:

Max. 60 W

Nimba 60

Antoni Arola
1997

For further information on built-in LED go to p. 152



Code	Stainless steel structure	
NIM06LED	Matte finish. Dimmable 1-10 V	2.400 €
NIM06LED-DALI	Matte finish. Dimmable DALI	2.400 €
NIM063LED	Golden finish. Dimmable 1-10 V	2.555 €
NIM063LED-DALI	Golden finish. Dimmable DALI	2.555 €

White PVC lampshade.

Black metallic circular canopy included with power supply incorporated.

Suitable for dimming 1-10V / DALI.

(Not included external dimmer switch 1-10V / DALI).

Electric cable length: 5 m / 196.8"

Weight: 7,4 kg / 16.3 lb



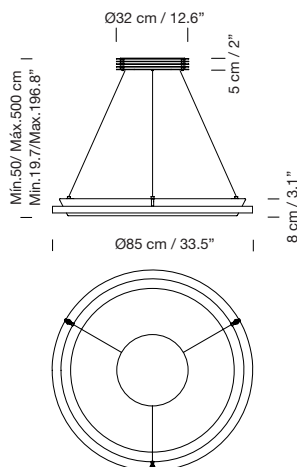
Light source included (dimmable):

Built-in LED 45 W

Nimba 90

Antoni Arola
1997

For further information on built-in LED go to p. 152



Code	Stainless steel structure	
NIM09LED	Matte finish. Dimmable 1-10 V	3.075 €
NIM09LED-DALI	Matte finish. Dimmable DALI	3.075 €
NIM093LED	Golden finish. Dimmable 1-10 V	3.160 €
NIM093LED-DALI	Golden finish. Dimmable DALI	3.160 €

White PVC lampshade.

Black metallic circular canopy included with power supply incorporated.

Suitable for dimming 1-10V / DALI.

(Not included external dimmer switch 1-10V / DALI).

Electric cable length: 5 m / 196.8"

Weight: 9,5 kg / 20.9 lb



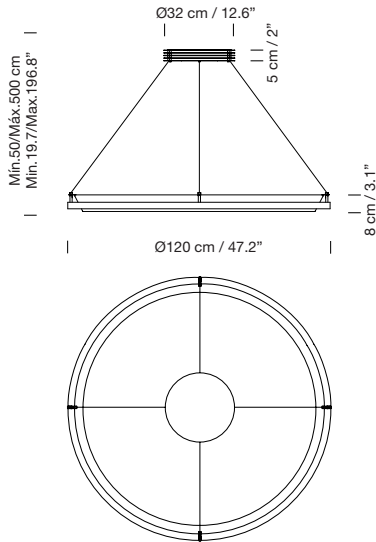
Light source included (dimmable):

Built-in LED 65 W

Nimba 120

Antoni Arola
1997

For further information on built-in LED go to p. 152

**Code****Stainless steel structure**

NIM12LED	Matte finish. Dimmable 1-10 V	4.760 €
NIM12LED-DALI	Matte finish. Dimmable DALI	4.760 €
NIM123LED	Golden finish. Dimmable 1-10 V	4.845 €
NIM123LED-DALI	Golden finish. Dimmable DALI	4.845 €

White PVC lampshade.

Black metallic circular canopy included with power supply incorporated.

Suitable for dimming 1-10V / DALI.

(Not included external dimmer switch 1-10V / DALI).

Electric cable length: 5 m / 196.8"

Weight: 12,6 kg / 27.8 lb

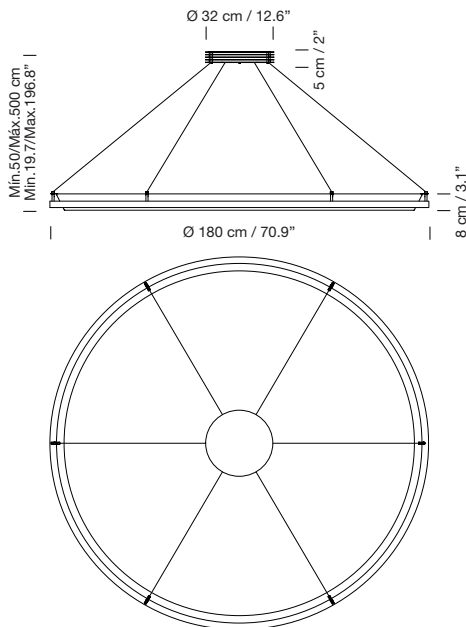
**Light source included (dimmable):**

Built-in LED 95 W

Nimba 180

Antoni Arola
1997

For further information on built-in LED go to p. 152

**Code****Stainless steel structure**

NIM18LED	Matte finish. Dimmable 1-10 V	8.290 €
NIM18LED-DALI	Matte finish. Dimmable DALI	8.290 €
NIM183LED	Golden finish. Dimmable 1-10 V	8.385 €
NIM183LED-DALI	Golden finish. Dimmable DALI	8.385 €

White PVC lampshade.

Black metallic circular canopy included with power supply incorporated.

Suitable for dimming 1-10V / DALI.

(Not included external dimmer switch 1-10V / DALI).

Electric cable length: 5 m / 196.8"

Weight: 17 kg / 37.5 lb

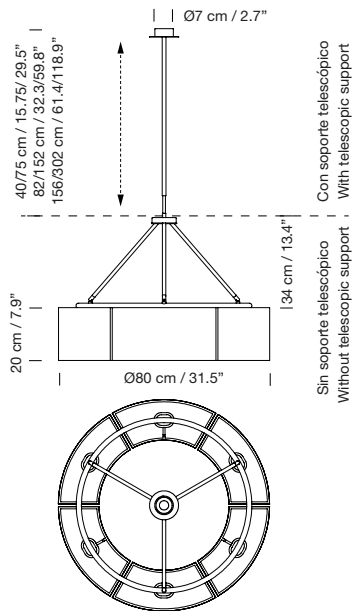
**Light source included (dimmable):**

Built-in LED 140 W

Sexta

Miguel Milá
2003

For further information on light sources go to p. 148



Composition

SXT41 + SXT01	1.730 €
SXT41 + SXT02	1.740 €
SXT41 + SXT03	1.875 €
SXT41 + SXT00	1.570 €
SXT41 + SXT01 + 6SXT03	1.890 €
SXT41 + SXT02 + 6SXT03	1.900 €
SXT41 + SXT03 + 6SXT03	2.035 €
SXT41 + SXT00 + 6SXT03	1.730 €

Code 6 Lampshades

SXT41	White translucent PVC	1.485 €
-------	-----------------------	---------

6 Lower discs (optionals)

6SXT03	Translucent opal methacrylate	160 €
--------	-------------------------------	-------

Telescopic tube

SXT01	40 / 75 cm - 15.75 / 29.5"	245 €
SXT02	82 / 152 cm - 32.3 / 59.8"	255 €
SXT03	156 / 302 cm - 61.4 / 118.9"	390 €
SXT00	Without telescopic tube	85 €

Light source

6BOM40	LED bulb 10 W - 2.700 K	15 €
--------	-------------------------	------

Chrome-plated structure, pendulous and telescopic support.

Chrome-plated metallic circular canopy included.

Suitable for side entry adaptor (p. 125).

Weight: 6 Kg / 13.2 lb



Bulb socket:

E27 (Max. hgt. 115 mm / 4.5")

Recommended light source:

6 x LED bulb 10 W

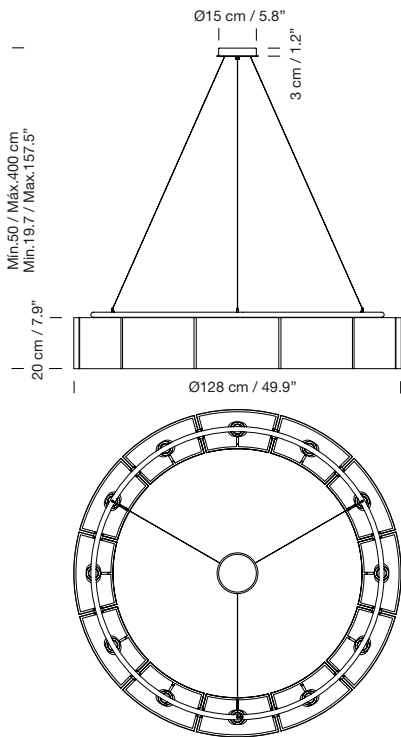
Other light sources:

Max. 6 x 60 W

Sexta 12

Miguel Milá
2014

For further information on light sources go to p. 148



Code Structure and circular canopy

SXT12 Chrome-plated **2.775 €**

12 lower discs (optional)

6SXT04 Translucent opal methacrylate **280 €**

Light source

6BOM40 LED bulb 10 W - 2700K **15 €**

Hanging system of 1 support.
12 white translucent PVC lampshades.
Weight: 8,2 kg / 18 lb



Bulb socket:

E27 (Max. hgt. 115 mm / 4.5")

Recommended light source:

12 x LED bulb 10 W

Other light sources:

Max. 12 x 60 W

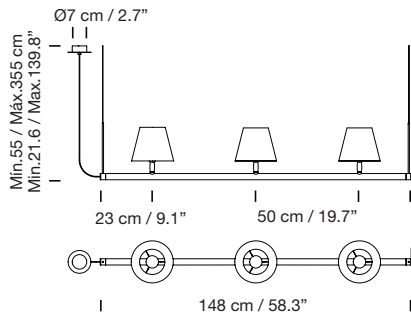
Sistema Fonda

Gabriel Ordeig Cole

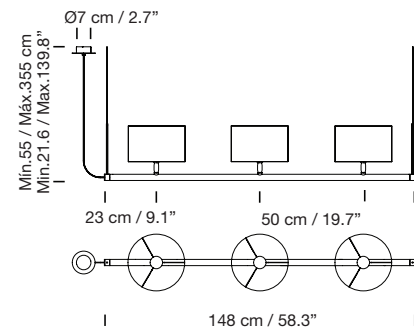
1990

For further information on light sources go to p. 148

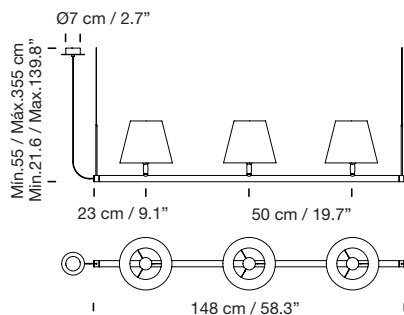
AP1



AP2



AM1



Examples of composition	Structure	Drawing	
FON23 + 2 FONF3 + CSF01 + FSC13 + 3 PP101	3 Lampshades	AP1	870 €
FON23 + 2 FONF3 + CSF01 + FSC13 + 3 PP201	3 Lampshades	AP2	900 €
FON23 + 2 FONF3 + CSF01 + FSC13 + 3 PM101	3 Lampshades	AM1	885 €
6 FON23 + 2 FONU3 + 4 FONA3 + CSF01 + FSC13 + 18 PP203	18 Lampshades		4.395 €

Code	Structure		
FON13	For 1 lampshade	B	170 €
FON23	For 3 lampshades	C	405 €

Lampshade P1

PP101	Stitched beige parchment	P1	60 €
PP103	Natural ribbon	P1	55 €
PP105	Red-amber ribbon	P1	55 €
PP106	Black ribbon	P1	55 €
PP107	Terracotta Raw Color ribbon	P1	70 €
PP108	Mustard Raw Color ribbon	P1	70 €
PP109	Green Raw Color ribbon	P1	70 €

Lampshade P2

PP201	Stitched beige parchment	P2	70 €
PP203	Natural ribbon	P2	65 €
PP208	White linen	P2	95 €

Lampshade M1

PM101	Stitched beige parchment	M1	65 €
PM103	Natural ribbon	M1	60 €
PM105	Red-amber ribbon	M1	60 €
PM106	Black ribbon	M1	60 €
PM107	Terracotta Raw Color ribbon	M1	75 €
PM108	Mustard Raw Color ribbon	M1	75 €
PM109	Green Raw Color ribbon	M1	75 €
PML108	White linen	M1	90 €

Connection

FONF3	End	D	85 €
FONU3	Intermediate	E	90 €
FONA3	90° angle	F	125 €

Canopy

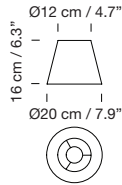
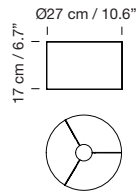
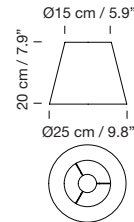
CSF01	3 m / 118.1" electric cable	25 €
FSC13	S&C canopy	90 €

Light source

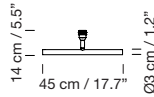
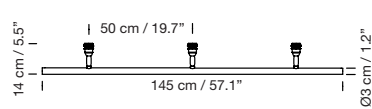
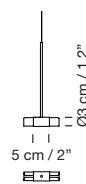
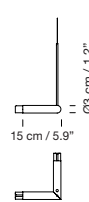
6BOM40	LED bulb 10 W - 2.700 K	15 €
--------	-------------------------	------



Lampshades

P1**P2****M1**

Structure

B**C****D****E****F**

Satin nickel tubular structure with natural beech wood supports for 1 or 3 lampshades.

S&C satin nickel metallic canopy included.

Suitable for side entry adaptor.

Maximum 1200 W per line (6A). One connection per line.

Weight structure for 3 lampshades (without lampshade): 2.7 kg / 5.9 lb

Weight structure for 18 lampshades (without lampshade): 13 kg / 29 lb

Bulb socket:

E27 (Max. hgt. 115 mm / 4.5")

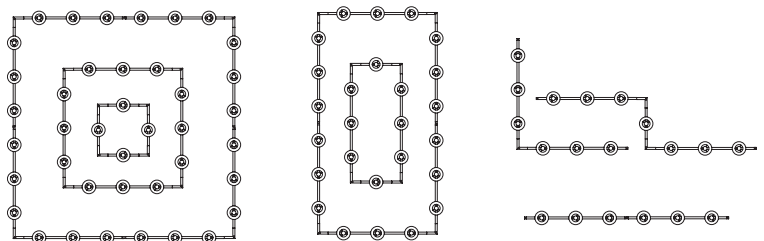
Recommended light source:

1 x / 3 x LED bulb 10 W

Other light sources:

Max. 1 x / 3 x 100 W

Examples of composition



Sistema Gran Fonda

Gabriel Ordeig Cole
1990

For further information on light sources go to p. 148

Examples of composition		Structure	
FON18 + 2 FONF3 + PGF15 + FSC13 + CSF01		For 1 lampshade	695 €
FON18 + FON28 + 2 FONF3 + FONU3 + 3 PGF13 + FSC13 + CSF01		For 3 lampshades	1.565 €
Code	Structure	Drawing	
FON18	For 1 lampshade	B	210 €
FON28	For 2 lampshades	C	380 €
Lampshade			
PGF13	Natural ribbon	D	200 €
PGF15	Red-amber ribbon	D	200 €
PGF16	Black ribbon	D	200 €
PGF17	Terracotta Raw Color ribbon	D	220 €
PGF18	Mustard Raw Color ribbon	D	220 €
PGF19	Green Raw Color ribbon	D	220 €
PGFL18	White linen	D	200 €
Connection			
FONF3	End	E	85 €
FONU3	Intermediate	F	90 €
FONA3	90° angle	G	125 €
Canopy			
CSF01	3 m / 118.1" electric cable		25 €
FSC13	S&C canopy		90 €
Light source			
6BOM40	LED bulb 10 W - 2.700 K		15 €

Satin nickel tubular structure for 1 or 2 lampshades.
Each lampshade includes a translucent white diffuser disk.
S&C satin nickel metallic canopy included.
Suitable for side entry adaptor.
Maximum 1200W per line (6A). One connection per line.
Electric cable length: 3 m / 118.1"
Weight structure with 1 lampshade: 4 kg / 8.8 lb
Weight structure for 3 lampshades: 6,3 kg / 14 lb



Bulb socket:

E27 (Max. hgt. 125 mm / 4.9")

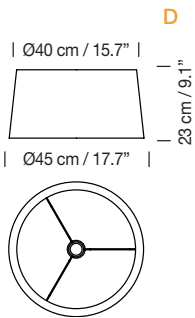
Recommended light source:

1 x / 2 x LED bulb 10 W

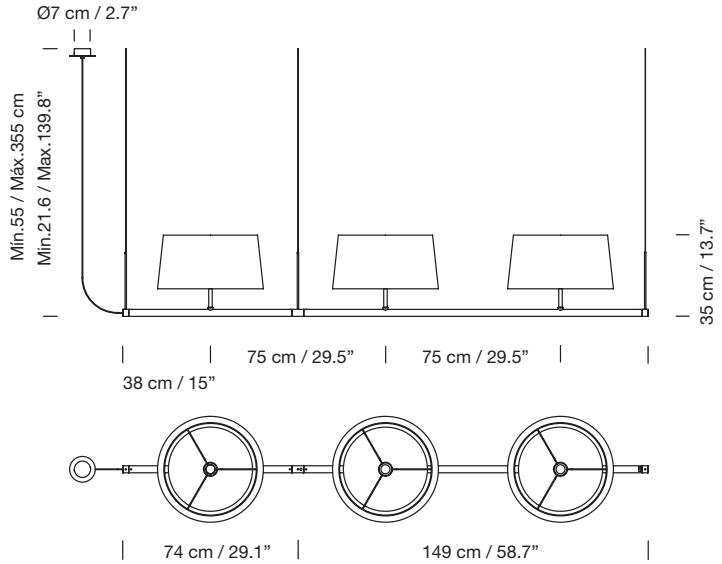
Other light sources:

Max. 1 x / 2 x 100 W

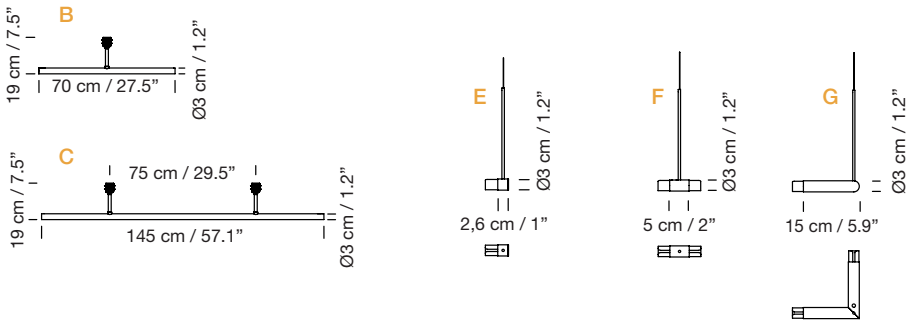
Lampshade



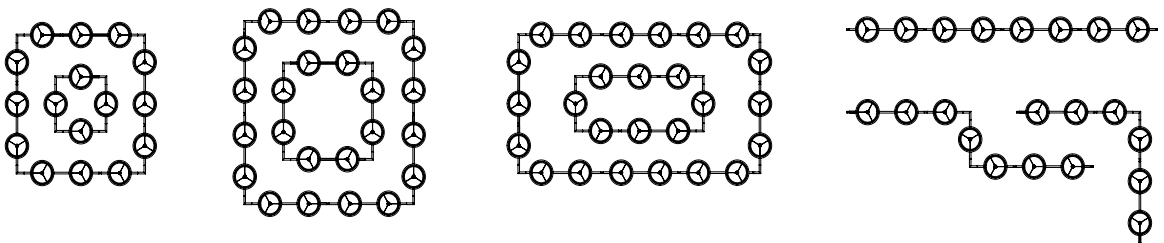
Three lampshades composition



Structure



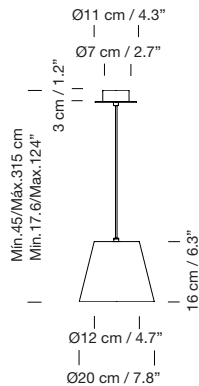
Examples of composition



Sistema Sisisí PT1

Santa & Cole Team
1993

For further information on light sources go to p. 148



Examples of composition

SIS13 + PPT11	160 €
SIS21B + PPT13	150 €
SIS22 + PPT17	165 €

Code	Sisisí canopy (metallic structure)	Cable	Lamp socket	
SIS13	Satin nickel	Black	Simple	100 €
SIS21B	Textured white finish	White	Simple	95 €
SIS21N	Textured white finish	Black	Simple	95 €
SIS22	Textured black finish	Black	Simple	95 €

Lampshade

PPT11	Stitched beige parchment	60 €
PPT13	Natural ribbon	55 €
PPT15	Red-amber ribbon	55 €
PPT16	Black ribbon	55 €
PPT17	Terracotta Raw Color ribbon	70 €
PPT18	Mustard Raw Color ribbon	70 €
PPT19	Green Raw Color ribbon	70 €

Light source

6BOM45	LED bulb 6 W - 2.700 K	10 €
---------------	------------------------	-------------

Canopy suitable for side entry adaptor (p. 125).



Bulb socket:

E27 (Max. hgt. 105 mm / 4.1")

Recommended light source:

LED bulb 6 W

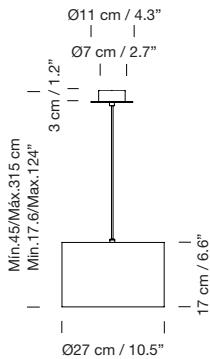
Other light sources:

Max. 60 W

Sistema Sisisí PT2

Santa & Cole Team
1993

For further information on light sources go to p. 148



Composition

SIS13 + PPT21	170 €
SIS21B + PPT21	165 €
SIS21N + PPT21	165 €
SIS22 + PPT21	165 €
SIS13 + PPT23	165 €
SIS21B + PPT23	160 €
SIS21N + PPT23	160 €
SIS22 + PPT23	160 €

Code	Sisisí canopy (metallic structure)	Cable	Lamp socket	
SIS13	Satin nickel	Black	Simple	100 €
SIS21B	Textured white finish	White	Simple	95 €
SIS21N	Textured white finish	Black	Simple	95 €
SIS22	Textured black finish	Black	Simple	95 €

Lampshade

PPT21	Stitched beige parchment	70 €
PPT23	Natural ribbon	65 €

Light source

6BOM45	LED bulb 6 W - 2.700 K	10 €
---------------	------------------------	-------------

Canopy suitable for side entry adaptor (p. 125).



Bulb socket:

E27 (Max. hgt. 105 mm / 4.1")

Recommended light source:

LED bulb 6 W

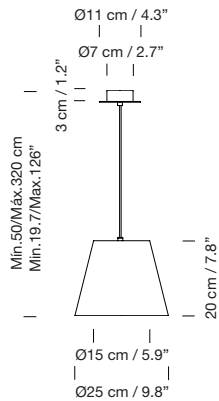
Other light sources:

Max. 60 W

Sistema Sisisí MT1

Santa & Cole Team
1993

For further information on light sources go to p. 148



Examples of composition

SIS13 + PMT11	165 €
SIS21B + PMT13	155 €
SIS22 + PMT17	170 €

Code	Sisisí canopy (metallic structure)	Cable	Lamp socket	
SIS13	Satin nickel	Black	Simple	100 €
SIS21B	Textured white finish	White	Simple	95 €
SIS21N	Textured white finish	Black	Simple	95 €
SIS22	Textured black finish	Black	Simple	95 €

Lampshade

PMT11	Stitched beige parchment	65 €
PMT13	Natural ribbon	60 €
PMT15	Red-amber ribbon	60 €
PMT16	Black ribbon	60 €
PMT17	Terracotta Raw Color ribbon	75 €
PMT18	Mustard Raw Color ribbon	75 €
PMT19	Green Raw Color ribbon	75 €
PMTL18	White linen	90 €

Light source

6BOM45	LED bulb 6 W - 2.700 K	10 €
---------------	------------------------	-------------

Canopy suitable for side entry adaptor (p. 125).



Bulb socket:

E27 (Max. hgt. 105 mm / 4.1")

Recommended light source:

LED bulb 6 W

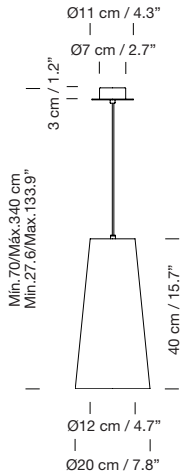
Other light sources:

Max. 60 W

Sistema Sisisí MT2

Santa & Cole Team
1993

For further information on light sources go to p. 148



Composition

SIS13 + PMT21	175 €
SIS21B + PMT21	170 €
SIS21N + PMT21	170 €
SIS22 + PMT21	170 €

Code	Sisisí canopy (metallic structure)	Cable	Lamp socket	
SIS13	Satin nickel	Black	Simple	100 €
SIS21B	Textured white finish	White	Simple	95 €
SIS21N	Textured white finish	Black	Simple	95 €
SIS22	Textured black finish	Black	Simple	95 €

Lampshade

PMT21	Stitched beige parchment	75 €
--------------	--------------------------	-------------

Light source

6BOM40	LED bulb 10 W - 2.700 K	15 €
---------------	-------------------------	-------------

Canopy suitable for side entry adaptor (p. 125).



Bulb socket:

E27 (Max. hgt. 155 mm / 6.1")

Recommended light source:

LED bulb 10 W

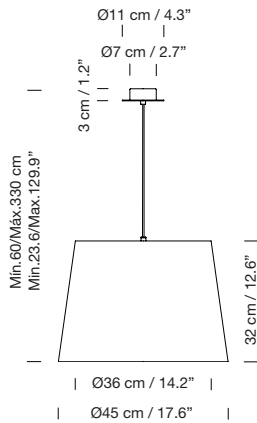
Other light sources:

Max. 60 W

Sisís System GT1

Santa & Cole Team
1993

For further information on light sources go to p. 148



Examples of composition

SIS13 + PGT11	255 €
SISD13 + PGT17	320 €

Code	Sisís canopy (metallic structure)	Cable	Lamp socket	
SIS13	Satin nickel	Black	Simple	100 €
SIS21B	Textured white finish	White	Simple	95 €
SIS21N	Textured white finish	Black	Simple	95 €
SIS22	Textured black finish	Black	Simple	95 €
SISD13	Satin nickel	Black	Double	150 €
SISD21B	Textured white finish	White	Double	140 €
SISD21N	Textured white finish	Black	Double	140 €
SISD22	Textured black finish	Black	Double	140 €

Lampshade

PGT11	Stitched beige parchment	155 €
PGT13	Natural ribbon	150 €
PGT15	Red-amber ribbon	150 €
PGT16	Black ribbon	150 €
PGT17	Terracotta Raw Color ribbon	170 €
PGT18	Mustard Raw Color ribbon	170 €
PGT19	Green Raw Color ribbon	170 €
PGTL18	White linen	180 €

Light source

6BOM40	LED bulb 10 W - 2.700 K	15 €
---------------	-------------------------	-------------

Canopy suitable for side entry adaptor (p. 125).



Bulb socket:

E27 (Max. hgt. 115 mm / 4.5")

Recommended light source:

1 x / 2 x LED bulb 10 W

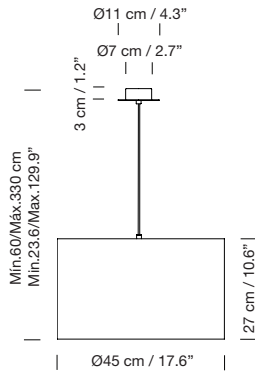
Other light sources:

Max. 1 x / 2 x 60 W

Sisisí System GT2

Santa & Cole Team
1993

For further information on light sources go to p. 148



Examples of composition

SIS13 + PGT23	255 €
SISD13 + PGT28	330 €

Code	Sisisí canopy (metallic structure)	Cable	Lamp socket	
SIS13	Satin nickel	Black	Simple	100 €
SIS21B	Textured white finish	White	Simple	95 €
SIS21N	Textured white finish	Black	Simple	95 €
SIS22	Textured black finish	Black	Simple	95 €
SISD13	Satin nickel	Black	Double	150 €
SISD21B	Textured white finish	White	Double	140 €
SISD21N	Textured white finish	Black	Double	140 €
SISD22	Textured black finish	Black	Double	140 €

Lampshade

PGT23	Natural ribbon	155 €
PGT25	Red-amber ribbon	155 €
PGT26	Black ribbon	155 €
PGT28	White linen	180 €

Light source

6BOM40	LED bulb 10 W - 2.700 K	15 €
---------------	-------------------------	-------------

Canopy suitable for side entry adaptor (p. 125).



Bulb socket:

E27 (Max. hgt. 115 mm / 4.5")

Recommended light source:

1 x / 2 x LED bulb 10 W

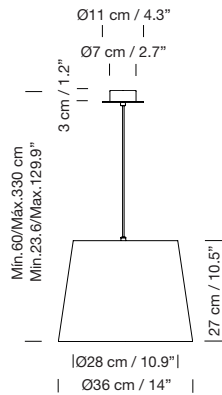
Other light sources:

Max. 1 x / 2 x 60 W

Sisisí System GT3

Santa & Cole Team
1993

For further information on light sources go to p. 148



Examples of composition

SIS13 + PGT31	225 €
SIS21B + PGT33	215 €
SIS22 + PGT37	235 €

Code	Sisisí canopy (metallic structure)	Cable	Lamp socket	
SIS13	Satin nickel	Black	Simple	100 €
SIS21B	Textured white finish	White	Simple	95 €
SIS21N	Textured white finish	Black	Simple	95 €
SIS22	Textured black finish	Black	Simple	95 €

Lampshade

PGT31	Stitched beige parchment	125 €
PGT33	Natural ribbon	120 €
PGT35	Red-amber ribbon	120 €
PGT36	Black ribbon	120 €
PGT37	Terracotta Raw Color ribbon	140 €
PGT38	Mustard Raw Color ribbon	140 €
PGT39	Green Raw Color ribbon	140 €
PGTL38	White linen	135 €

Light source

6BOM41	LED bulb 13,5 W - 2.700 K	30 €
---------------	---------------------------	-------------

Canopy suitable for side entry adaptor (p. 125).



Bulb socket:

E27 (Max. hgt. 155 mm / 6.1")

Recommended light source:

LED bulb 13,5 W

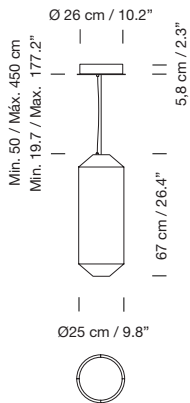
Other light sources:

Max. 60 W

Tekiò Vertical P1

Anthony Dickens
2017

For further information on built-in LED go to p. 152

New Product**Composition**

TEKVE1 + TEKVP1 + TEKFO1	1.030 €
---------------------------------	----------------

Code Description

Code	Description	
TEKVE1	White S&C metal P1 structure with matte finish	320 €
TEKVP1	Washi Japanese paper P1 shade	390 €
TEKF01	White S&C metallic canopy with power supply incorporated	320 €

Suitable for dimming 1-10V. (Not included external dimmer switch 1-10V).
Warm dim control 2200K – 2700K.
Methacrylate inner diffuser.

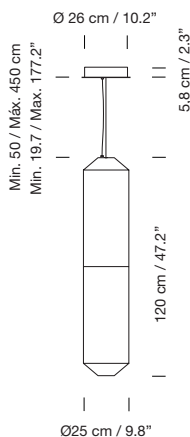
**Light source included:**

Built-in LED 43 W

Tekiò Vertical P2

Anthony Dickens
2017

For further information on built-in LED go to p. 152

New Product**Composition**

TEKVE2 + TEKVP2 + TEKFO1	1.460 €
---------------------------------	----------------

Code Description

Code	Description	
TEKVE2	White S&C metal P2 structure with matte finish	570 €
TEKVP2	Washi Japanese paper P2 shade	570 €
TEKF01	White S&C metallic canopy with power supply incorporated	320 €

Suitable for dimming 1-10V. (Not included external dimmer switch 1-10V).
Warm dim control 2200K – 2700K.
Methacrylate inner diffuser.

**Light source included:**

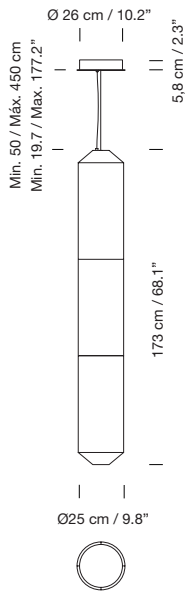
Built-in LED 73 W

Tekiò Vertical P3

Anthony Dickens
2017

For further information on built-in LED go to p. 152

New Product



Composition

TEKVE3 + TEKVP3 + TEKF01 **1.970 €**

Code	Description	
TEKVE3	White S&C metal P3 structure with matte finish	895 €
TEKVP3	Washi Japanese paper P3 shade	755 €
TEKF01	White S&C metallic canopy with power supply incorporated	320 €

Suitable for dimming 1-10V. (Not included external dimmer switch 1-10V).
Warm dim control 2200K – 2700K.
Methacrylate inner diffuser.



Light source included:

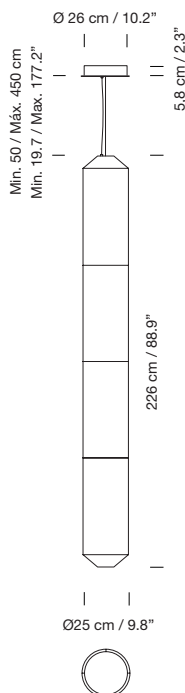
Built-in LED 100 W

Tekiò Vertical P4

Anthony Dickens
2017

For further information on built-in LED go to p. 152

New Product



Composition

TEKVE4 + TEKVP4 + TEKF01 **2.375 €**

Code	Description	
TEKVE4	White S&C metal P4 structure with matte finish	1.120 €
TEKVP4	Washi Japanese paper P4 shade	935 €
TEKF01	White S&C metallic canopy with power supply incorporated	320 €

Suitable for dimming 1-10V. (Not included external dimmer switch 1-10V).
Warm dim control 2200K – 2700K.
Methacrylate inner diffuser.



Light source included:

Built-in LED 120 W

Tekiò Horizontal P1Anthony Dickens
2017

For further information on built-in LED go to p. 152

New Product

Composition		Drawing	
TEKHE1 + TEKHP1 + TEKFO1		A	1.030 €
TEKHE1 + TEKHP1 + TEKFO3		B	1.030 €

Code	Structure		
TEKHE1	P1	320 €	

Lampshade			
TEKHP1	P1	390 €	

Canopy			
TEKF01	Circular	A	320 €
TEKF03	Rectangular	B	320 €

White S&C metal structure with matte finish.

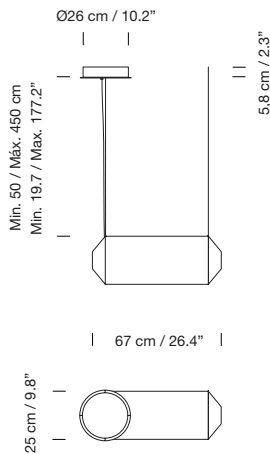
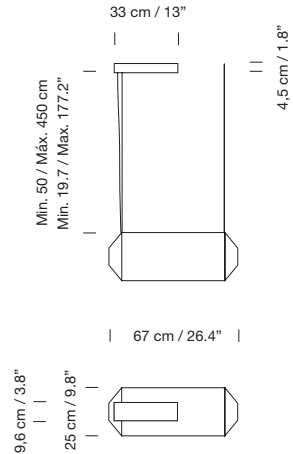
Washi Japanese paper shade.

White S&C metallic canopy with power supply incorporated.

Suitable for dimming 1-10V. (Not included external dimmer switch 1-10V).

Warm dim control 2200K – 2700K.

Methacrylate inner diffuser.

**A****B****Light source included:**

Built-in LED 43 W

Tekìo Horizontal P2

Anthony Dickens
2017

For further information on built-in LED go to p. 152

New Product

Composition		Drawing	
TEKHE2 + TEKHP2 + TEKFO1		A	1.460 €
TEKHE2 + TEKHP2 + TEKFO3		B	1.460 €
Code	Structure		
TEKHE2	P2		570 €
Lampshade			
TEKHP2	P2		570 €
Canopy			
TEKF01	Circular	A	320 €
TEKF03	Rectangular	B	320 €

White S&C metal structure with matte finish.

Washi Japanese paper shade.

White S&C metallic canopy with power supply incorporated.

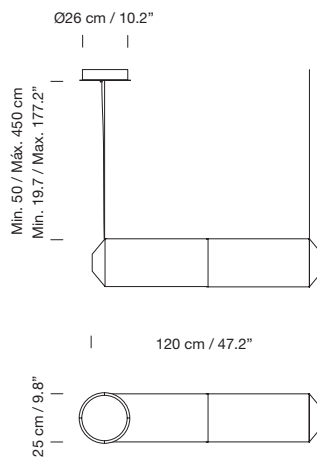
Suitable for dimming 1-10V. (Not included external dimmer switch 1-10V).

Warm dim control 2200K – 2700K.

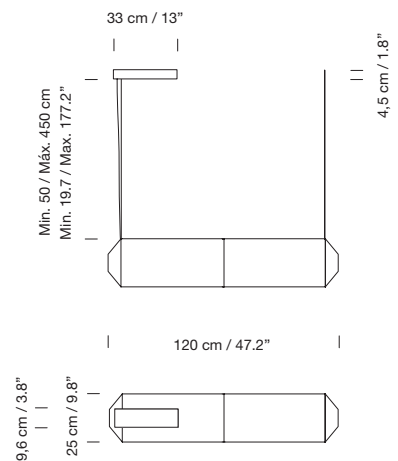
Methacrylate inner diffuser.



A



B



Light source included:

Built-in LED 73 W

Tekiò Horizontal P3

For further information on built-in LED go to p. 152

New ProductAnthony Dickens
2017

Composition		Drawing	
TEKHE3 + TEKHP3 + TEKF01		A	1.985 €
TEKHE3 + TEKHP3 + TEKF03		B	1.985 €
Code	Structure		
TEKHE3	P3		910 €
Lampshade			
TEKHP3	P3		755 €
Canopy			
TEKF01	Circular	A	320 €
TEKF03	Rectangular	B	320 €

White S&C metal structure with matte finish.

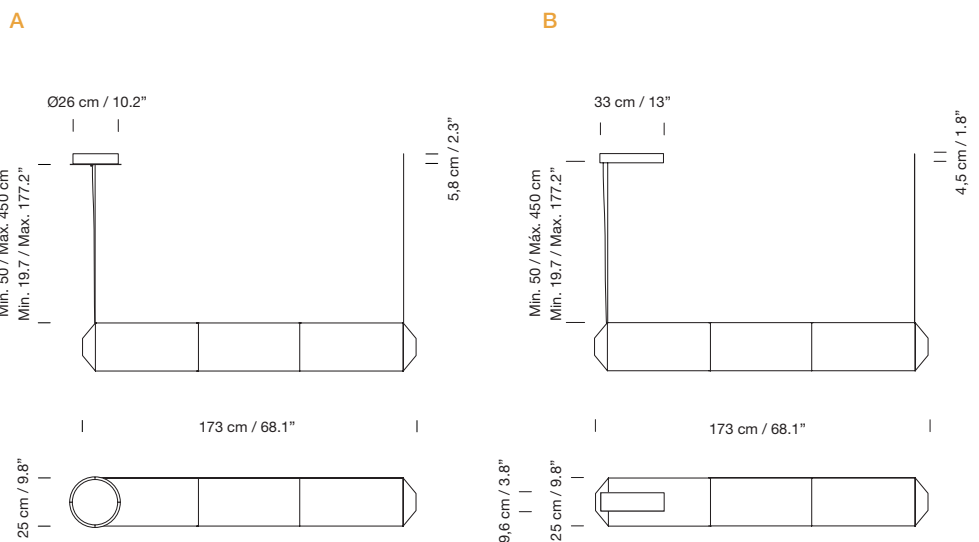
Washi Japanese paper shade.

White S&C metallic canopy with power supply incorporated.

Suitable for dimming 1-10V. (Not included external dimmer switch 1-10V).

Warm dim control 2200K – 2700K.

Methacrylate inner diffuser.

**Light source included:**
Built-in LED 100 W

Tekiò Horizontal P4

Anthony Dickens
2017

For further information on built-in LED go to p. 152

New Product

Composition		Drawing	
TEKHE4 + TEKHP4 + TEKF01		A	2.465 €
TEKHE4 + TEKHP4 + TEKF03		B	2.465 €
Code	Structure		
TEKHE4	P4	1.210 €	
Lampshade			
TEKHP4	P4	935 €	
Canopy			
TEKF01	Circular	A	320 €
TEKF03	Rectangular	B	320 €

White S&C metal structure with matte finish.

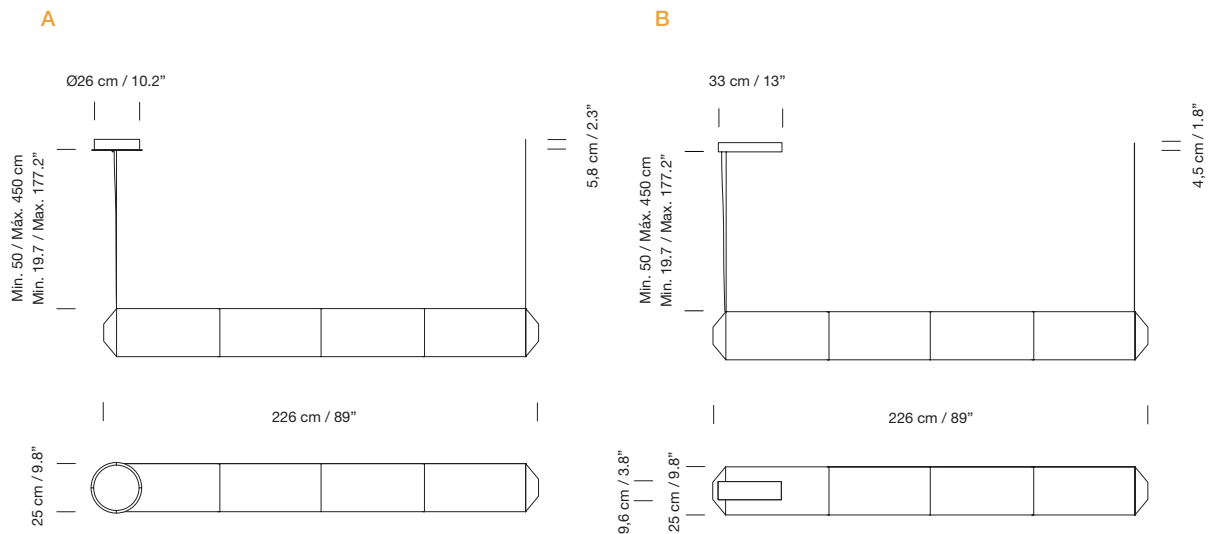
Washi Japanese paper shade.

White S&C metallic canopy with power supply incorporated.

Suitable for dimming 1-10V. (Not included external dimmer switch 1-10V).

Warm dim control 2200K – 2700K.

Methacrylate inner diffuser.



Light source included:

Built-in LED 120 W

Tekiò Circular P8Anthony Dickens
2017

For further information on built-in LED go to p. 152

New Product

Composition		Drawing	
TEKCE8 + TEKCP8 + TEKFO2		A	3.600 €
TEKCE8 + TEKCP8 + 2 TEKFO3		B	3.790 €
Code	Structure		
TEKCE8	P8	1.675 €	
		Lampshade	
TEKCP8	P8	1.475 €	
		Canopy	
TEKF02	Circular ^[1]	A	450 €
TEKF03	Rectangular ^[2]	B	320 €

White S&C metal structure with matte finish.

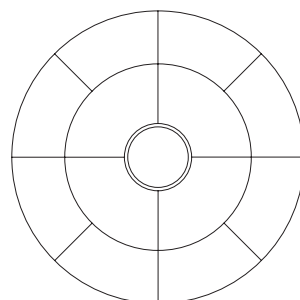
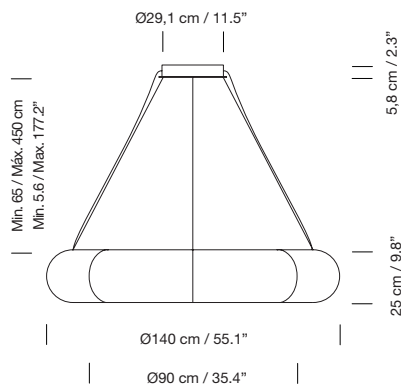
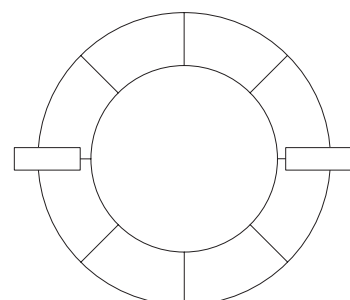
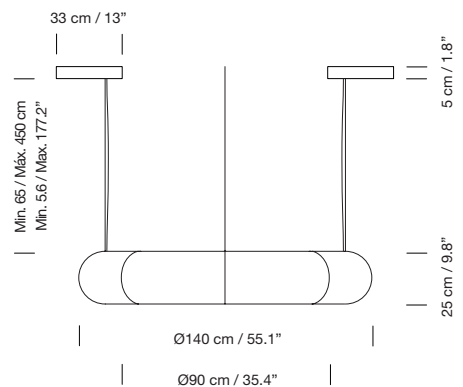
Washi Japanese paper shade.

White S&C metallic canopy with power supply incorporated.

Suitable for dimming 1-10V. (Not included external dimmer switch 1-10V).

Warm dim control 2200K – 2700K.

Methacrylate inner diffuser.

^[1] For the composition with circular rosette (A), 1 unit of TEKFO2 is required.^[2] For the composition with rectangular rosette (B), 2 units of TEKFO3 are required.**A****B****Light source included:**

Built-in LED 200 W

Tekìo Oval P12

Anthony Dickens
2017

For further information on built-in LED go to p. 152

New Product

Composition	Drawing	
TEKCE8 + TEKOE4 + TEKCP8 + TEKOP4 + 2 TEKFO2	A	6.010 €
TEKCE8 + TEKOE4 + TEKCP8 + TEKOP4 + 4 TEKFO3	B	6.390 €

Code	Structure	
TEKCE8	P8	1.675 €
TEKOE4	P4	1.210 €

Lampshade		
TEKCP8	P8	1.475 €
TEKOP4	P4	750 €

Canopy			
TEKF02	Circular ^[1]	A	450 €
TEKF03	Rectangular ^[2]	B	320 €

White S&C metal structure with matte finish.

Washi Japanese paper shade.

White S&C metallic canopy with power supply incorporated.

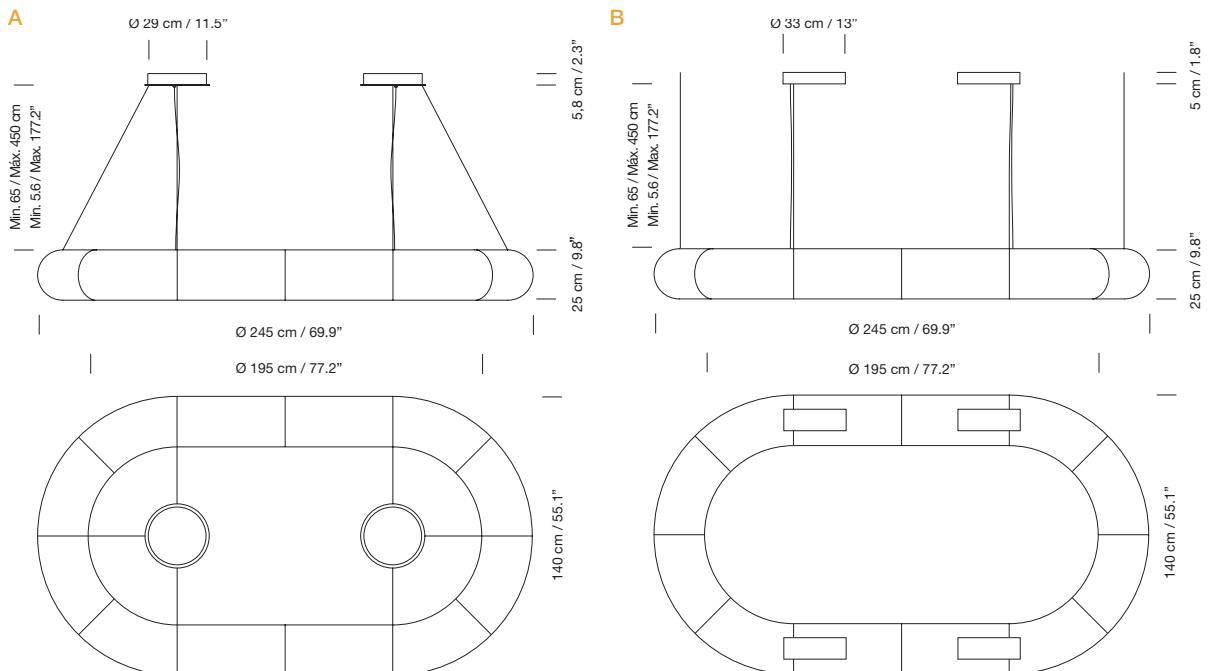
Suitable for dimming 1-10V. (Not included external dimmer switch 1-10V).

Warm dim control 2200K – 2700K.

Methacrylate inner diffuser.

^[1] For the composition with circular rosette (A) 2 units of TEKFO2 is required.

^[2] For the composition with rectangular rosette (B) 4 units of TEKFO3 are required.



Light source included:

Built-in LED 320 W

Vaghe Stelle

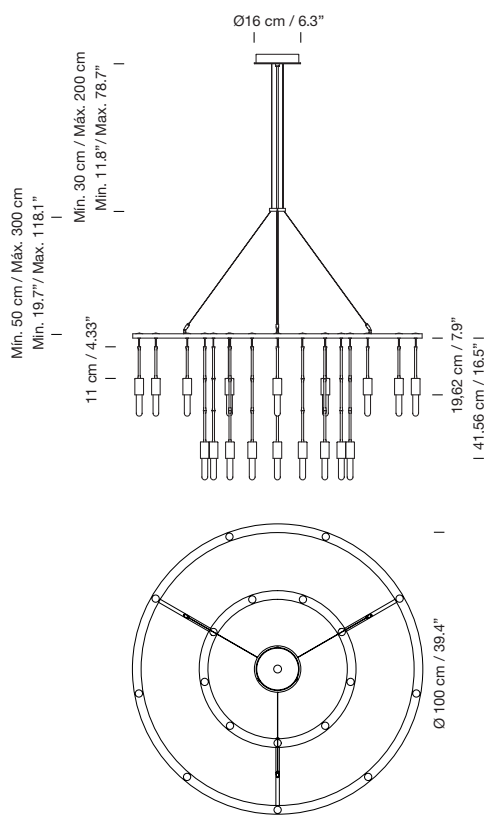
Antoni de Moragas i Spà
1983

For further information on light sources go to p. 148

Code	Description	
VGS01	Structure, socket, central ring and circular canopy made of polished varnished brass. Pyrex tubes. Transparent electrical cable.	4.160 €

Electric cable length: 5 m / 196.8"

Weight: 10 Kg / 22 lb



Bulb socket:

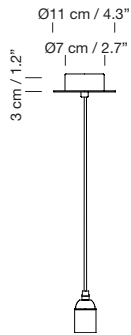
E14 (Max. hgt. 155 mm / 6.1")

Light source included:

18 x Filament tubular incandescent bulbs 25 W

Sisisí canopy

Gabriel Ordeig Cole
1987



Code	Sisisí canopy (metallic structure)	Cable	Lamp socket	
SIS13	Satin nickel	Black	Simple	100 €
SIS21B	Textured white finish	White	Simple	95 €
SIS21N	Textured white finish	Black	Simple	95 €
SIS22	Textured black finish	Black	Simple	95 €

Light source

6BOM41	LED bulb 13,5 W - 2.700 K	30 €
6BOM40	LED bulb 10 W - 2.700 K	15 €

Black neoprene or white silicone cable (depending on model), with lamp holder and support for lampshade.

Suitable for side entry adaptor (p. 125).

Electric cable length: 3 m / 118.1"

Weight: 0,5 kg / 1.1 lb



Bulb socket:

E27 (Max. hgt. depending on shade)

Recommended light source:

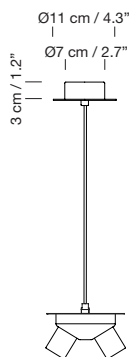
LED bulb 10 or 13,5 W

Other light sources:

Max. 60 W

Sisisí canopy Dual lamp socket

Gabriel Ordeig Cole
1987



Code	Sisisí canopy (metallic structure)	Cable	Lamp socket	
SISD13	Satin nickel	Black	Double	150 €
SISD21B	Textured white finish	White	Double	140 €
SISD21N	Textured white finish	Black	Double	140 €
SISD22	Textured black finish	Black	Double	140 €

Light source

6BOM41	LED bulb 13,5 W - 2.700 K	30 €
6BOM40	LED bulb 10 W - 2.700 K	15 €

Black neoprene or white silicone cable (depending on model), with 2 lamp holders and support for lampshade.

Suitable for side entry adaptor (p. 125).

Can be combined with GT1, GT2, GT5 and GT6 lampshades.

Electric cable length: 3 m / 118.1"

Weight: 0,7 kg / 1.5 lb

Bulb socket:

E27 (Max. hgt. 137 mm / 5.4")

Recommended light source:

2 x LED bulb 10 or 13,5 W

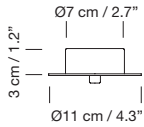
Other light sources:

Max. 2 x 100 W



S&C canopy

Gabriel Ordeig Cole
1993



Code	Metallic structure	
FSC13	Satin nickel	90 €
FSC21	Textured white finish	65 €
FSC22	Textured black finish	65 €

Suitable for side entry adaptor (p. 125).

S&C Connection

Gabriel Ordeig Cole
1997



Code	Length	Color	
CSC01	3 m / 118.1"	Black	35 €
CSC02	8 m / 315"	Black	60 €
CSC01B	3 m / 118.1"	White	35 €
CSC02B	8 m / 315"	White	60 €

Light source

6BOM41	LED bulb 13,5 W - 2.700 K	30 €
6BOM40	LED bulb 10 W - 2.700 K	15 €

Black neoprene or white silicone cable (depending on model), with lamp holder and support for lampshade.



Bulb socket:

E27 (Max. hgt. depending on shade)

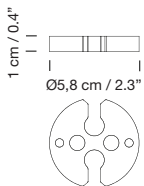
Recommended light source:

LED bulb 10 or 13,5 W

Other light sources:

Max. 60 W

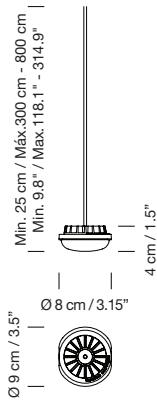
Side entry adaptor



Code	Description	
6FSC01	Side entry adaptor	35 €

HeadLed System S & C LED Capsule

Santa & Cole Team
2013



Code LED capsule with electric black cable

HEL03	3 m / 118.1"	90 €
HEL08	8 m / 315"	120 €

Capsule with LED module, translucent white diffuser and heat sink with black matte finish.

Suitable with HeadLed System lampshades (p. 127).

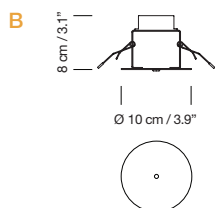
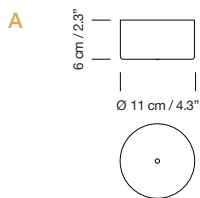


Light source included:

Built-in LED: 3,7 W / 7,7 W

HeadLed System S & C LED canopy

Santa & Cole Team
2013



Code Circular metal canopy + power supply

Code	Description	Drawing	Price
HEF01	Black surface – 3,7 W (not dimmable)	A	115 €
HEF02	White surface – 3,7 W (not dimmable)	A	115 €
HEFD01	Black surface – 7,7 W dimmable 1-10V ^[1]	A	180 €
HEFD02	White surface – 7,7 W dimmable 1-10V ^[1]	A	180 €
HEF12	White built-in – 3,7 W (not dimmable)	B	115 €

Metallic circular canopy with a smooth matte finish and power supply incorporated.

^[1] Suitable for dimming 1-10V. (Not included external dimmer switch 1-10V).



Headled System S&C LED Lampshades

Santa & Cole Team
2013

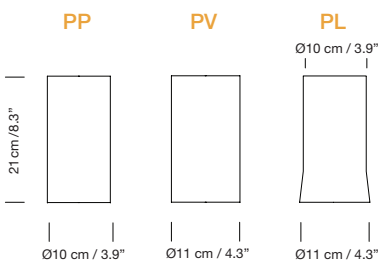
Code	Lampshade	Finish	Drawing	
Cirio				
CIP01	White porcelain	Matte interior and gloss exterior	PP	125 €
CIP05	White opal glass	Matte	PV	115 €
CIP06	Brass	Polished	PL	235 €
HeadHat				
HATS12	White ceramic S	Matte interior and gloss exterior	SC	90 €
HATS11	Black ceramic S	Matte interior and gloss exterior	SC	90 €
HATL12	White ceramic L	Matte interior and gloss exterior	LC	135 €
HATL11	Black ceramic L	Matte interior and gloss exterior	LC	135 €
HATS02	White metallic S ^[1]	Matte	SM	180 €
HATM02	White metallic M ^[1]	Matte	MM	210 €
HATL02	White metallic L ^[1]	Matte	LM	315 €
M64				
M6401	White aluminium	Matte	M64	200 €
M6402	Black aluminium	Matte	M64	200 €
M6403	Aluminium	Polished	M64	200 €
M6404	Brass	Polished	M64	285 €
M6405	Red aluminium	Brilliant	M64	200 €

Suitable for S&C LED capsule and Cirio structures.

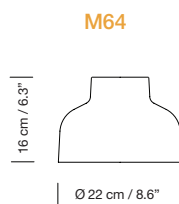
^[1] Metallic lampshades (HATS02, HATM02 y HATL02) include coupling washer in white methacrylate.



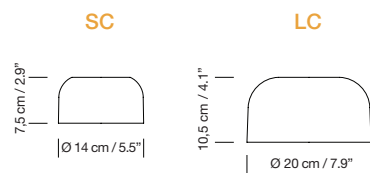
Cirio



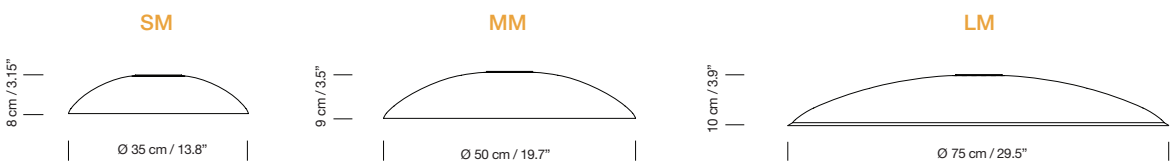
M64



HedHat Bowl

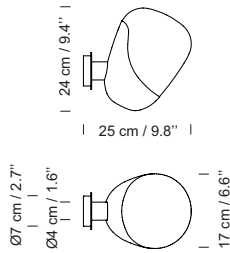


HedHat Plate



Aarhus

Arne Jacobsen, Erik Møller
1946



For further information on light sources go to p. 148

Code	Description	
JAA01	Satin nickel structure White opal glass lampshade	320 €
Light source		
6BOM45	LED bulb 6 W - 2.700 K	10 €



Bulb socket:

E27 (Max. hgt. 105 mm / 4.1")

Recommended light source:

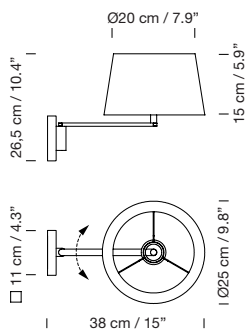
LED bulb 6 W

Other light sources:

Max. 40 W

Americana

Miguel Milá
1999



For further information on light sources go to p. 148

Composition		
SAM12 + SAMP8		345 €
Code		
SAM12	Satin nickel structure	280 €
SAMP8	White linen lampshade	65 €
Light source		
6BOM45	LED bulb 6 W - 2.700 K	10 €

Rotating arm.



Bulb socket:

E27 (Max. hgt. 105 mm / 4.1")

Recommended light source:

LED bulb 6 W

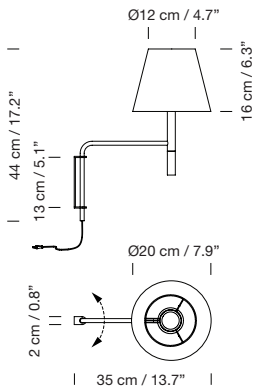
Other light sources:

Max. 60 W

BC1

Santa & Cole Team
1995

For further information on light sources go to p. 148

**Examples of composition**

BC102 + PP101	310 €
BC102 + PP103	305 €
BC102 + PP107	320 €

Code	Structure	
BC102	Satin nickel and beech wood handle	250 €

Lampshade

PP101	Stitched beige parchment	60 €
PP103	Natural ribbon	55 €
PP105	Red-amber ribbon	55 €
PP106	Black ribbon	55 €
PP107	Terracotta Raw Color ribbon	70 €
PP108	Mustard Raw Color ribbon	70 €
PP109	Green Raw Color ribbon	70 €

Light source (dimmable)

6BOM45	LED bulb 6 W - 2.700 K	10 €
---------------	------------------------	-------------

Moveable arm with plug.

Dimmer included.

**Bulb socket:**

E27 (Max. hgt. 105 mm / 4.1")

Recommended light source (dimmable):

LED bulb 6 W

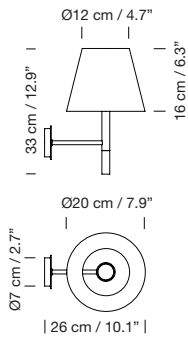
Other light sources:

Max. 60 W

BC2

Santa & Cole Team
1995

For further information on light sources go to p. 148

**Examples of composition**

BC202 + PP101	245 €
BC202 + PP103	240 €
BC202 + PP107	255 €

Code	Structure	
BC202	Satin nickel and beech wood handle	185 €

Lampshade

PP101	Stitched beige parchment	60 €
PP103	Natural ribbon	55 €
PP105	Red-amber ribbon	55 €
PP106	Black ribbon	55 €
PP107	Terracotta Raw Color ribbon	70 €
PP108	Mustard Raw Color ribbon	70 €
PP109	Green Raw Color ribbon	70 €

Light source

6BOM45	LED bulb 6 W - 2.700 K	10 €
---------------	------------------------	-------------

**Bulb socket:**

E27 (Max. hgt. 105 mm / 4.1")

Recommended light source:

LED bulb 6 W

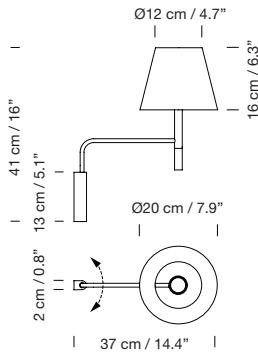
Other light sources:

Max. 60 W

BC3

Santa & Cole Team
1995

For further information on light sources go to p. 148

**Examples of composition**

BC302 + PP101	310 €
BC302 + PP103	305 €
BC302 + PP107	320 €

Code	Structure	
BC302	Satin nickel and beech wood handle	250 €

Lampshade

PP101	Stitched beige parchment	60 €
PP103	Natural ribbon	55 €
PP105	Red-amber ribbon	55 €
PP106	Black ribbon	55 €
PP107	Terracotta Raw Color ribbon	70 €
PP108	Mustard Raw Color ribbon	70 €
PP109	Green Raw Color ribbon	70 €

Light source

6BOM45	LED bulb 6 W - 2.700 K	10 €
---------------	------------------------	-------------

Moveable arm.

**Bulb socket:**

E27 (Max. hgt. 105 mm / 4.1")

Recommended light source:

LED bulb 6 W

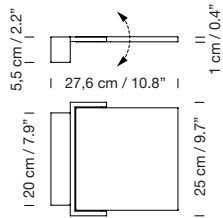
Other light sources:

Max. 60 W

BlancoWhite C1 Wall rotating

Antoni Arola
2013

For further information on built-in LED go to p. 152



Code	Description	
BWC132	Graphite metal structure with matte finish with power supply incorporated	530 €

Rotating head.



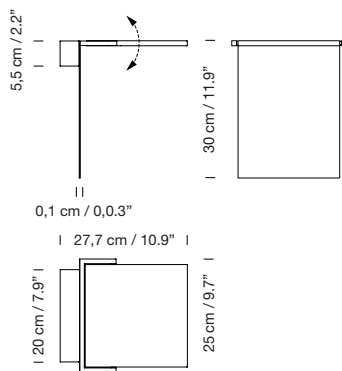
Light source included:

Built-in LED 8 W

BlancoWhite C1 Wall rotating scene

Antoni Arola
2013

For further information on built-in LED go to p. 152



Code	Description	
BWC132-S5	Graphite metal structure with matte finish with power supply incorporated	580 €

Rotating head.
Wall Scene red sheet.



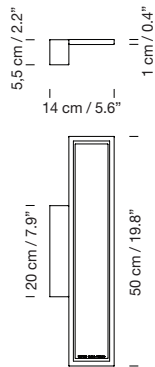
Light source included:

Built-in LED 8 W

BlancoWhite R1 Wall

Antoni Arola
2013

For further information on built-in LED go to p. 152



Code	Description	
BWR122	Graphite metal structure with matte finish with power supply incorporated	450 €

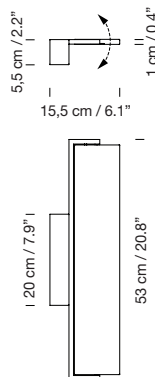


Light source included:
Built-in LED 10 W

BlancoWhite R1 Wall rotating

Antoni Arola
2013

For further information on built-in LED go to p. 152



Code	Description	
BWR132	Graphite metal structure with matte finish with power supply incorporated	585 €

Rotating head.

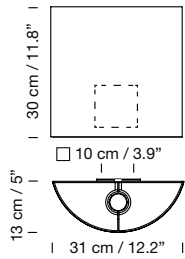


Light source included:
Built-in LED 10 W

Comodín cuadrado

Santa & Cole Team
1994

For further information on light sources go to p. 148



Examples of composition

COM01 + COM19	175 €
COM01 + COM39	190 €

Code	Structure	
COM01	Chrome-plated	105 €

Lampshade

COM18	Stitched beige parchment	75 €
COM19	Natural ribbon	70 €
COM35	Red-amber ribbon	70 €
COM36	Black ribbon	70 €
COM37	Terracotta Raw Color ribbon	85 €
COM38	Mustard Raw Color ribbon	85 €
COM39	Green Raw Color ribbon	85 €

Light source

6BOM45	LED bulb 6 W - 2.700 K	10 €
---------------	------------------------	-------------



Bulb socket:

E27 (Max. hgt. 105 mm / 4.1")

Recommended light source:

LED bulb 6 W

Other light sources:

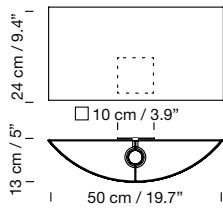
Max. 60 W

Comodín rectangular

Santa & Cole Team

1994

For further information on light sources go to p. 148

**Examples of composition**

COM01 + COM29	175 €
COM01 + COM47	190 €

Code	Structure	
COM01	Chrome-plated	105 €

Lampshade

COM28	Stitched beige parchment	85 €
COM29	Natural ribbon	70 €
COM45	Red-amber ribbon	70 €
COM46	Black ribbon	70 €
COM47	Terracotta Raw Color ribbon	85 €
COM48	Mustard Raw Color ribbon	85 €
COM49	Green Raw Color ribbon	85 €

Light source

6BOM45	LED bulb 6 W - 2.700 K	10 €
---------------	------------------------	-------------

**Bulb socket:**

E27 (Max. hgt. 105 mm / 4.1")

Recommended light source:

LED bulb 6 W

Other light sources:

Max. 60 W

Corso
Antoni Arola
2007

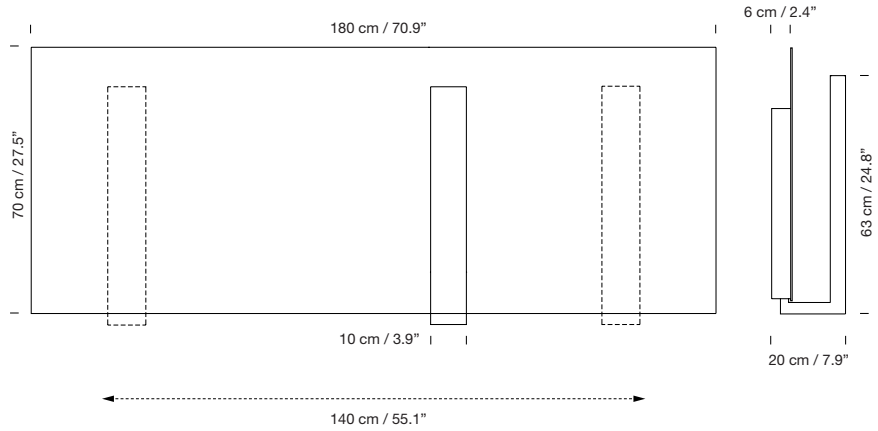
For further information on light sources go to p. 148

Composition

CRS01 + CRS11 **2.280 €**

Code **Description**

CRS01	Printed Dibond recessed fixture with colour gradient (from yellow to red) and matte finish	725 €
CRS11	Black metal structural frame with moveable arm	1.555 €



Bulb socket: G5

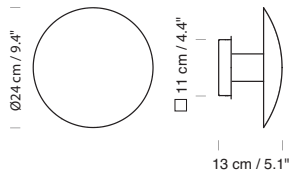
Light source included:

2 x Fluorescent. T5. Linear 24 W

Disco M

Jordi Miralbell
Mariona Raventós
1995

For further information on built-in LED go to p. 152



Code	Description	
DIS04L	Satin nickel structure and lampshade	320 €

Suitable for phase-cut dimming.
Does not include external phase-cut dimmer.

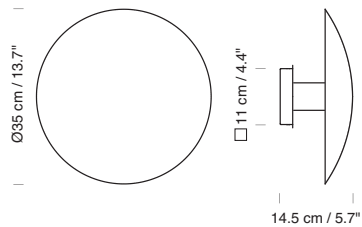
**Light source included (dimmable):**

Built-in LED: 9 W

Disco L

Jordi Miralbell
Mariona Raventós
1995

For further information on built-in LED go to p. 152



Code	Description	
DIS06L	Satin nickel structure and lampshade	400 €

Suitable for phase-cut dimming.
Does not include external phase-cut dimmer.

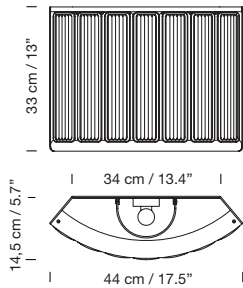
**Light source included (dimmable):**

Built-in LED: 9 W

Estadio

Miguel Milá
2015

For further information on light sources go to p. 148



Code	Description	
ESTA1	Black metal structure with white matte reflector 7 glass block shades	595 €
Light source		
6BOM41	LED bulb 13,5 W - 2.700 K	30 €

Diffuser in white translucent methacrylate.
Weight: 11 kg / 24.25 lb



Bulb socket:

E27 (Max. hgt. 160 mm / 6.3")

Recommended light source:

LED bulb 13,5 W

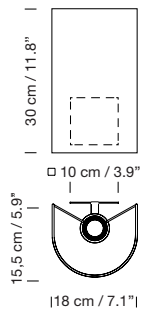
Other light sources:

Max. 75 W

Singular

Miguel Milá
2000

For further information on light sources go to p. 148



Composition

COM01 + SIN28 200 €

Code	Description	
COM01	Chrome-plated structure	105 €
SIN28	White linen lampshade	95 €

	Light source	
6BOM45	LED bulb 6 W - 2.700 K	10 €



Bulb socket:

E27 (Max. hgt. 105 mm / 4.1")

Recommended light source:

LED bulb 6 W

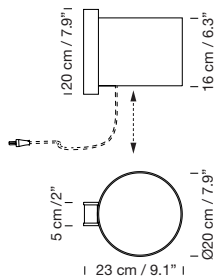
Other light sources:

Max. 60 W

TMM corto

Miguel Milá
1964

For further information on light sources go to p. 148



Code	Parchment lampshade	Connection	
ATM01	Beige	With plug ^[1]	190 €
ATM02	White	With plug ^[1]	190 €
ATM31	Beige	Direct wall	185 €
ATM32	White	Direct wall	185 €
ATM32D	White with upper diffuser in white translucent methacrylate ^[2]	Direct wall	205 €
Light source			
6BOM45	LED bulb 6 W - 2.700 K		10 €

Beech wood structure.

^[1] The light is switched on/off by pulling lightly on the cable.

^[2] Lampshade with upper diffuser for energy saving bulbs only (LED/compact fluorescent).



Bulb socket:

E27 (Max. hgt. 105 mm / 4.1")

Recommended light source:

LED bulb 6 W

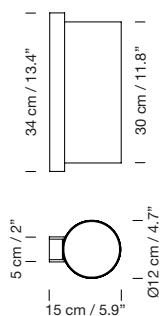
Other light sources:

Max. 60 W

TMM largo

Miguel Milá
1964

For further information on light sources go to p. 148



Code	Parchment lampshade	
ATL01	Beige	200 €
ATL02	White	200 €
Light source		
6BOM45	LED bulb 6 W - 2.700 K	10 €

Beech wood structure.



Bulb socket:

E27 (Max. hgt. 105 mm / 4.1")

Recommended light source:

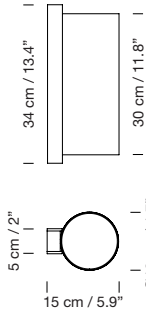
LED bulb 6 W

Other light sources:

Max. 60 W

TMM MetálicoMiguel Milá
2002

For further information on light sources go to p. 148



Code	Description	
ATL15	Satin nickel structure White methacrylate shade	275 €
Light source		
6BOM45	LED bulb 6 W - 2.700 K	10 €

**Bulb socket:**

E27 (Max. hgt. 105 mm / 4.1")

Recommended light source:

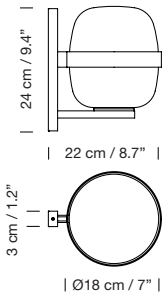
LED bulb 6 W

Other light sources:

Max. 60 W

WallyMiguel Milá
1962

For further information on light sources go to p. 148



Code	Metallic structure	
WLY01	Bronze finish	330 €
WLY02	Matte white	330 €
Light source		
6BOM45	LED bulb 6 W - 2.700 K	10 €

White opal glass lampshade.

Suitable for indoor and outdoor use.

**Bulb socket:**

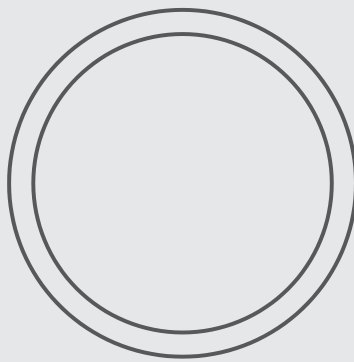
E27 (Max. hgt. 105 mm / 4.1")

Recommended light source:

LED bulb 6 W

Other light sources:

Max. 40 W



Amigo

Gonzalo Milá, Miguel Milá. 2009

143

Garden

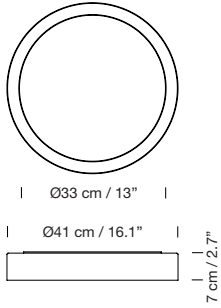
Amigo

Gonzalo Milá

Miguel Milá

2009

For further information on built-in LED go to p. 152



Code	Description	
AMA21L	White metallic structure Cylindrical translucent methacrylate diffuser	475 €

Suitable for dimming systems 1-10V.
(External dimmer switch 1-10V not included).
Suitable for indoor and outdoor use.

CE  IP 55

 US LISTED

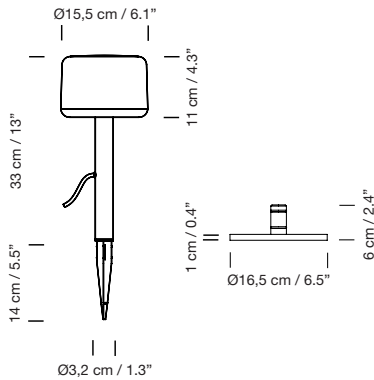
Light source included (dimmable):

Built-in LED 40 W

Oco 33

Causas Externas
2010

For further information on built-in LED go to p. 152



Code	Upper cover	
OCO33A	Amber	220 €
	Base (optional)	
OCO00	Black steel	75 €

Black aluminium shaft.
Polycarbonate casing.
Luminaire 33 cm / 12.9" with spike.
Power supply incorporated.

CE IP 54

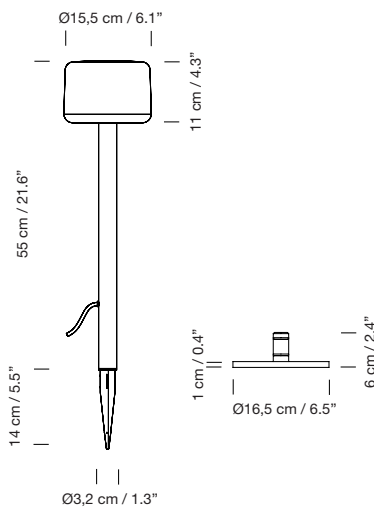
Light source included:

Built-in LED 4,2 W

Oco 55

Causas Externas
2010

For further information on built-in LED go to p. 152



Code	Upper cover	
OCO55A	Amber	235 €
	Base (optional)	
OCO00	Black steel	75 €

Black aluminium shaft.
Polycarbonate casing.
Luminaire 55 cm / 21.6" with spike.
Power supply incorporated.

CE IP 54

Light source included:

Built-in LED 4,2 W

Light sources

Recommended Light Sources

Product	Light sources for product (u.)	Power (W)	
		LED	Others

Table lamps

Americana	1 u.	6W	Max. 60W
Asa	1 u.	6W	Max. 60W
Babel	1 u.	10W	Max. 60W
Básica, M1, M2	1 u.	10W	Max. 100W
Básica Mínima	1 u.	6W	Max. 40W
Cesta	1 u.	10W	Max. 75W
Cestita	1 u.	6W	Max. 40W UL Market: 7W
Cesta Metálica	1 u.	10W	Max. 60W
Cestita Metálica	1 u.	6W	Max. 40W
Diana Menor	2 u.	6W	Max. 40W With diffuser: Max. 25W)
Diana	2 u.	10W	Max. 50W With diffuser: Max. 25W)
FAD Menor	1 u.	6W	Max. 100W
FAD	1 u.	6W	Max. 100W
Gira	1 u.	7,2W	
Moragas	3 u.	6W	Max. 30W
TMD	1 u.	6W	Max. 60W
Trípode M3	1 u.	6W	Max. 40W
Trípode G6	1 u.	10W	Max. 100W

Floor lamps

AJ Royal	2 u.	10W	Max. 100W
Americana	1 u.	6W	Max. 60W
Diana	2 u.	13,5W	Max. 75W With diffuser: Max. 25W)
Diana Mayor	2 u.	13,5W	Max. 75W
Dórica	3 u.	10W	Max. 50W
FAD	1 u.	10W	Max. 100W
GATCPAC	1 u.	13,5W	Max. 150W
Moaré	3 u.	10W	Max. 50W
Pie de Salón G1, G2, G3	1 u.	13,5W	Max. 100W
TMC	1 u.	10W	Max. 100W
TMD	1 u.	10W	Max. 100W
TMM	1 u.	10W	Max. 100W With diffuser: Max. 25W)
Trípode G5	1 u.	13,5W	Max. 100W

Wall lamps

Aarhus	1 u.	6W	Max. 40W
Americana	1 u.	6W	Max. 60W
BC1	1 u.	6W	Max. 60W
BC2	1 u.	6W	Max. 60W
BC3	1 u.	6W	Max. 60W
Comodín cuadrado/rectangular	1 u.	6W	Max. 60W
Corso	2 u.		T5. Linear. 24W
Estadio	1 u.	13,5W	Max. 75W
Singular	1 u.	6W	Max. 60W
TMM corto / largo	1 u.	6W	Max. 60W With diffuser: Max. 25W)
TMM Metálico	1 u.	6W	Max. 60W
Wally	1 u.	6W	Max. 40W UL Market: 7W

Recommended Light Sources

Product	Light sources for product (u.)	Power (W)	
		LED	Others
Pedant Lamps			
Estadio 105	12 u.	13,5W	Max. 75W
Estadio 150	18 u.	13,5W	Max. 75W
Estadio 250	24 u.	13,5W	Max. 75W
Línea Estadio	5 u.	13,5W	Max. 75W
Globo Cestita	1 u.	6W	Max. 40W
Globo Cesta	1 u.	10W	Max. 75W
GT4	1 u.	13,5W	Max. 60W
GT5	1 u. / 2 u.	10W	Max. 100W
GT6	1 u. / 2 u.	10W	Max. 100W
GT7	3 u.	13,5W	Max. 60W
La Collilla			Neon bulbs strip,6W
Leonardo 60, 100	1 u.	13,5W	Max. 150W
Liceo 70			
Liceo 120			
M68	1 u.	10W	Max. 100W
Moaré	3 u.	10W	Max. 100W
Moaré Liviana S, M	1 u.	10W	Max. 60W
Nagoya	1 u.	10W	Max. 60W
Sexta	6 u.	10W	Max. 60W
Sexta 12	12 u.	10W	Max. 60W
Sistema Fonda P1, P2	1 u. / 3 u.	10W	Max. 100W
Sistema Gran Fonda	1 u. / 2 u.	10W	Max. 100W
Sistema Sisisí PT1	1 u.	6W	Max. 60W
Sistema Sisisí PT2	1 u.	6W	Max. 60W
Sistema Sisisí MT1	1 u.	6W	Max. 60W
Sistema Sisisí MT2	1 u.	10W	Max. 60W
Sistema Sisisí GT1	1 u. / 2 u.	10W	Max. 60W
Sistema Sisisí GT2	1 u. / 2 u.	10W	Max. 60W
Sistema Sisisí GT3	1 u.	13,5W	Max. 60W
Vaghe Stelle	18 u.	2W (Only UL Market)	Max. 25W

Recommended Light Sources

Bulb socket		Maximum height (mm / in.)	Includes light source	Dimmer on the luminaire (adjustable light source)*	Product page
CE	USA - Others				
E27	E26	155 mm / 6.1"			p. 68
E27	E26	155 mm / 6.1"			p. 69
E27	E26	155 mm / 6.1"			p. 70
E27	E26	155 mm / 6.1"			p. 71
E27	E26	130 mm / 5.1"			p. 72
E27	E26	130 mm / 5.1"			p. 73
E27	E26	155 mm / 6.1"			p. 74
E27	E26	130 mm / 5.1"			p. 75
E27	E26	130 mm / 5.1"			p. 76
E27	E26	137 mm / 5.4"			p. 77
			X		p. 85
E27	E26	155 mm / 6.1"			p. 92
					p. 93
					p. 93
E27	E26	130 mm / 5.1"			p. 95
E27	E26	130 mm / 5.1"			p. 97
E27	E26	155 mm / 6.1"			p. 98-99
E27	E26	115 mm / 4.5"			p. 99
E27	E26	115 mm / 4.5"			p. 102
E27	E26	115 mm / 4.5"			p. 103
E27	E26	115 mm / 4.5"			p. 104
E27	E26	125 mm / 4.9"			p. 106
E27	E26	105 mm / 4.1"			p. 108
E27	E26	105 mm / 4.1"			p. 109
E27	E26	105 mm / 4.1"			p. 110
E27	E26	155 mm / 6.1"			p. 111
E27	E26	115 mm / 4.5"			p. 112
E27	E26	115 mm / 4.5"			p. 113
E27	E26	155 mm / 6.1"			p. 114
E14	E12	155 mm / 6.1"	CE Market		p. 123

For dimming systems to work properly,
(dimmer luminaire / installation), the compact fluorescent and LED
light sources must be adjustable.

Luminaires with built-in LED

Product	Power system (W)	Operating voltage (VDC)	Operating current (mA)	Input voltage (VAC)
---------	------------------	-------------------------	------------------------	---------------------

Table lamps

BlancoWhite C1	8W	12VDC		100 – 230
BlancoWhite R3	33W	12VDC		100 – 230
BlancoWhite R1 table Rotating	10W	12VDC		100 – 230
Cestita Bateria	3,7W	2,9VDC		100 – 240
Majja 15	12W	24VDC		90 – 264
Sin S	12,5W	24VDC		100 – 230
Sin L	25W	24VDC		100 – 230
Tatu	6W		350mA	CE 220 – 240 / USA 100 – 300

Floor lamps

Majja 30	24W	24VDC		90 – 305
----------	-----	-------	--	----------

Pendant lamps

Arne Domus	33W		700mA	90 – 305
Arne S Domus	24W		700mA	90 – 305
BlancoWhite D1 ceiling / D1 ceiling up&down	22W	12VDC		100 – 230
BlancoWhite D2 ceiling / D2 ceiling up&down	28W	12VDC		100 – 230
BlancoWhite R3	33W	12VDC		110 – 277
BlancoWhite Golden Gate	66W	12VDC		110 – 230
Cirio simple	3,7W / 7,7W		350mA / 700 mA	100 – 230 / 100 – 277
Cirio múltiple	46,2 – 92,4W = (6u.–12u.)		700mA	120 – 277
Cirio Cascada 5	46W		700mA	120 – 277
Cirio Cascada 7	65W		700mA	120 – 277
Cirio Cascada 9	83W		700mA	120 – 277
Cirio Cascada 12	110W		700mA	120 – 277
Cirio circular S	44,4W / 92,4W (12u.)		350mA / 700 mA	230 (CIF01)* / 120 – 277 (CIF31/CIF31-DALI)
Cirio circular M	103,6W / 215,6W (28u.)		350mA / 700 mA	230 (CIF01)* / 120 – 277 (CIF31/CIF31-DALI)
Cirio circular L	155,4W / 323,4W (42u.)		350mA / 700 mA	230 (CIF01)* / 120 – 277 (CIF31/CIF31-DALI)
Cirio oval	140,6W / 292,6W (28u. + 5u. + 5u.)		350mA / 700 mA	230 (CIF01)* / 120 – 277 (CIF31/CIF32/CIF31-DALI)
Cirio lineal	18,5W / 38,5W (5u.)		350mA / 700 mA	230 (CIF02)* / 120 – 277 (CIF31/CIF31-DALI)
Cirio Chandelier S	114W (20u.)		530mA	120 – 277
Cirio Chandelier M	171W (30u.)		530mA	120 – 277
Cirio Chandelier L	228W (40u.)		530mA	120 – 277
GT1000	78W		1.400mA	90 – 305
GT1500	78W		1.400mA	90 – 305
HeadHat Bowl / Plate	3,7W / 7,7W		350mA* / 700 mA	110 – 230 / 100 – 277
Lámina 45	18W		750mA	100 – 277
Sistema Lámina 45	31W		750mA	100 – 277
Lámina 85	31W		750mA	100 – 277
Sistema Lámina 85	54W		1.400mA	100 – 277
Lámina 165	54W		1.400mA	100 – 277
Lámina Mayor	44W		1.050mA	100 – 277
M64	3,7W / 7,7W		350mA* / 700 mA	110 – 230 / 100 – 277
Majja 15	6W		500mA	90 – 305
Majja 30	8,4W		700mA	90 – 305
Nimba 60	45W	24VDC		100 – 277
Nimba 90	65W	24VDC		100 – 277
Nimba 120	95W	24VDC		100 – 277
Nimba 180	140W	24VDC		100 – 277

Luminaires with built-in LED

T* Colour (K)	CRI / IRC	Lifetime (h)	Adjustable	Others	Product page
3.000K	90	40.000h	Dimmer on the luminaire		p. 13
3.000K	90	40.000h	Dimmer on the luminaire		p. 13
3.000K	90	40.000h	Dimmer on the luminaire		p. 13
2.700K	90	40.000h	3 Intensidades de salida de luz		p. 15
2.700K	90	40.000h	Dimmer on the luminaire		p. 21
2.700K	90	40.000h	Dimmer en la luminaria		p. 23
2.700K	90	40.000h	Dimmer on the luminaire		p. 23
2.700K	90	40.000h	Dimmer en la luminaria		p. 24
2.700K	90	40.000h	Dimmer on the luminaire		p. 34
2.700K	90	40.000h	1-10V		p. 43
2.700K	90	40.000h	1-10V		p. 43
3.000K	90	40.000h			p. 44
3.000K	90	40.000h			p. 45
3.000K	90	40.000h	1-10V		p. 46
3.000K	90	40.000h	1-10V		p. 47
2.700K	90	40.000h	1-10V (700mA)	*CE Market	p. 48
2.700K	90	40.000h	1-10V - DALI		p. 49
2.700K	90	40.000h	1-10V - DALI		p. 50
2.700K	90	40.000h	1-10V - DALI		p. 51
2.700K	90	40.000h	1-10V - DALI		p. 52
2.700K	90	40.000h	1-10V - DALI		p. 53
2.700K	90	40.000h	DALI - DSI - SWITCH DIM (CIF01)* / 1-10V (CIF31) - DALI (CIF31 - DALI)	*CE Market	p. 54
2.700K	90	40.000h	DALI - DSI - SWITCH DIM (CIF01)* / 1-10V (CIF31) - DALI (CIF31 - DALI)	*CE Market	p. 55
2.700K	90	40.000h	DALI - DSI - SWITCH DIM (CIF01)* / 1-10V (CIF31) - DALI (CIF31 - DALI)	*CE Market	p. 56
2.700K	90	40.000h	DALI - DSI - SWITCH DIM (CIF01) / 1-10V (CIF31) - DALI (CIF31 - DALI)	*CE Market	p. 58
2.700K	90	40.000h	DALI - DSI - SWITCH DIM (CIF02) / 1-10V (CIF31) - DALI (CIF31 - DALI)	*CE Market	p. 60
2.700K	90	40.000h	1-10V - DALI		p. 62
2.700K	90	40.000h	1-10V - DALI		p. 64
2.700K	90	40.000h	1-10V - DALI		p. 66
2.700K	90	40.000h	1-10V		p. 78
2.700K	90	40.000h	1-10V		p. 79
2.700K	90	40.000h	1-10V (700 mA)	*CE Market	p. 80-81-82-83-84
2.700K	90	40.000h	0-10V		p. 86
2.700K	90	40.000h	0-10V		p. 87
2.700K	90	40.000h	0-10V		p. 88
2.700K	90	40.000h	0-10V		p. 89
2.700K	90	40.000h	0-10V		p. 90
2.700K	90	40.000h	0-10V		p. 91
2.700K	90	40.000h	1-10V (700 mA)	*CE Market	p. 94
2.700K	90	40.000h	1-10V		p. 95
2.700K	90	40.000h	1-10V		p. 96
2.700K	90	40.000h	1-10V - DALI		p. 100
2.700K	90	40.000h	1-10V - DALI		p. 100
2.700K	90	40.000h	1-10V - DALI		p. 101
2.700K	90	40.000h	1-10V - DALI		p. 101

*Voltaje adaptado al país de destino.

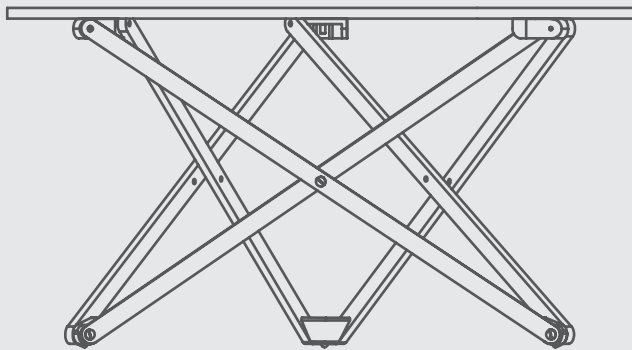
Luminaires with built-in LED

Product	Power system (W)	Operating voltage (VDC)	Operating current (mA)	Input voltage (VAC)
Pendant lamps				
Tekiò Vertical P1	43W	24VDC		CE 220-240 / USA 120 ~ 277
Tekiò Vertical P2	73W	24VDC		CE 220-240 / USA 120 ~ 277
Tekiò Vertical P3	100W	24VDC		CE 220-240 / USA 120 ~ 277
Tekiò Vertical P4	120W	24VDC		CE 220-240 / USA 120 ~ 277
Tekiò Horizontal P1	43W	24VDC		CE 220-240 / USA 120 ~ 277
Tekiò Horizontal P2	73W	24VDC		CE 220-240 / USA 120 ~ 277
Tekiò Horizontal P3	100W	24VDC		CE 220-240 / USA 120 ~ 277
Tekiò Horizontal P4	120W	24VDC		CE 220-240 / USA 120 ~ 277
Tekiò Circular P8	200W	24VDC		CE 220-240 / USA 120 ~ 277
Tekiò Oval P12	320W	24VDC		CE 220-240 / USA 120 ~ 277
Wall lamps				
BiancoWhite C1 Wall	8W	12VDC		90 ~ 264
BiancoWhite R1 Wall	10W	12VDC		90 ~ 264
Disco M	9W			CE 220 ~ 240 / USA 120
Disco L	9W			CE 220 ~ 240 / USA 120
Garden				
Amigo	40W		700mA	90 ~ 305
Oco	4,2W		350mA	120 ~ 240

Luminaires with built-in LED

T* Colour (K)	CRI / IRC	Lifetime (h)	Adjustable	Others	Product page
2.200-2.700K	90	40.000h	1-10V		p. 115
2.200-2.700K	90	40.000h	1-10V		p. 115
2.200-2.700K	90	40.000h	1-10V		p. 116
2.200-2.700K	90	40.000h	1-10V		p. 116
2.200-2.700K	90	40.000h	1-10V		p. 117
2.200-2.700K	90	40.000h	1-10V		p. 118
2.200-2.700K	90	40.000h	1-10V		p. 119
2.200-2.700K	90	40.000h	1-10V		p. 120
2.200-2.700K	90	40.000h	1-10V		p. 121
2.200-2.700K	90	40.000h	1-10V		p. 122
3.000K	90	40.000h			p. 132
3.000K	90	40.000h			p. 133
2.700K	90	40.000h	By phase cut		p. 137
2.700K	90	40.000h	By phase cut		p. 137
2.700K	90	40.000h	1-10V		p. 144
2.700K	85	40.000h			p. 145

*Voltage adapted to the country of destination.

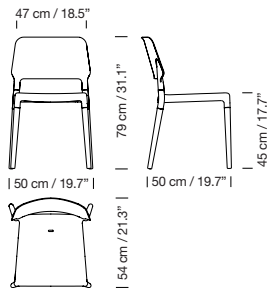


Subeybaja

Robert Heritage, Roger Webb. 1979

Belloch Chair

Lagranja Design
2009



Code	Color	Legs	
BES11	White	Natural beech wood	160 €
BES12	Grey	Natural beech wood	160 €
BES14	Black	Natural beech wood	160 €
BES15	Brown	Natural beech wood	160 €
BES16	Green	Natural beech wood	160 €
BES17	Red	Natural beech wood	160 €
BES21	White	Matte anodized aluminium ^[1]	160 €
BES22	Grey	Matte anodized aluminium ^[1]	175 €

Polypropylene (PP) + glass fiber seat and back.
Stackable.

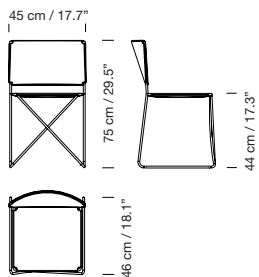
^[1] For indoor and outdoor.



ANSI BIFMA 5.1 X

Ramón Chair

Ramón Bigas
1975



Code	Seat and backrest	
RAS13	Natural	360 €
RAS14	White	360 €

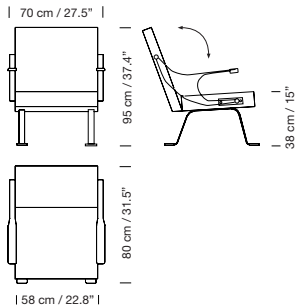
White metallic structure.
Seat and back made of hand-woven synthetic rattan.
Stackable.
For indoor and outdoor.



Digamma Armchair

Ignazio Gardella

1957



Code	Upholstered	
DIB00	Customer's fabric ^[1]	2.770 €
DIB01	Black or silk grey Digamma fabric	4.050 €

Black metallic legs and polished brass feet.

Upholstered seat, backrest and arms.

3-position reclining back.

Plain fabric measures: 3 m / 3.28 yd long by 1,40 m / 1.53 yd wide.

^[1] To be validated by S&C.

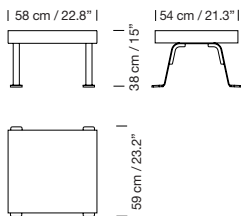
On special request also available in CMHR foam with a 5% price increase.



Digamma ottoman

Ignazio Gardella

1957



Code	Upholstered	
DIP00	Customer's fabric ^[1]	1.120 €
DIP01	Black or silk grey Digamma fabric	1.415 €

Black metallic legs and polished brass feet.

Upholstered seat.

Plain fabric measures: 0,85 m / 0.93 yd long by 1,40 m / 1.53 yd wide.

^[1] To be validated by S&C.

On special request also available in CMHR foam with a 5% price increase.

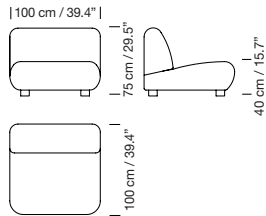


Cadaqués Lounge Chair

Federico Correa

Alfonso Milá

1959



Code	Upholstered	
CAD10	Customer's fabric	1.865 €
CAD11	Kvadrat's fabric ^[1]	2.545 €

Beech wood legs with a wenge colour finish.

Plain fabric measures: 5 m / 5.47 yd long

by 1,40 m / 1.53 yd wide.

^[1] **kvadrat** upholstery HARALD-3 by Raf Simons, STAR 2, TONUS MEADOW and HERO.

On special request also available in CMHR foam with a 5% price increase.

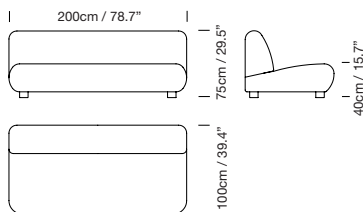
CE

Two Seat Cadaqués Sofa

Federico Correa

Alfonso Milá

1959



Code	Upholstered	
CAD20	Customer's fabric	2.375 €
CAD21	Kvadrat's fabric ^[1]	3.815 €

Beech wood legs with a wenge colour finish.

Plain fabric measures: 8 m / 8.75 yd long

by 1,40 m / 1.53 yd wide.

^[1] **kvadrat** upholstery: HARALD-3 by Raf Simons, STAR 2, TONUS MEADOW and HERO.

On special request also available in CMHR foam with a 5% price increase.

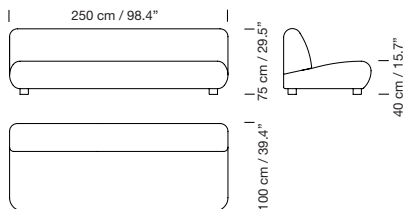
CE

Three Seat Cadaqués Sofa

Federico Correa

Alfonso Milá

1959



Code	Upholstered	
CAD30	Customer's fabric	3.165 €
CAD31	Kvadrat's fabric ^[1]	5.340 €

Beech wood legs with a wenge colour finish.

Plain fabric measures: 12 m / 13.1 yd long

by 1,40 m / 1.53 yd wide.

^[1] **kvadrat** upholstery: HARALD-3 by Raf Simons, STAR 2, TONUS MEADOW and HERO.

On special request also available in CMHR foam with a 5% price increase.

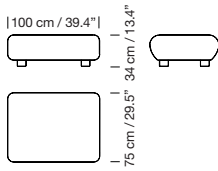
CE

Cadaqués Ottoman

Federico Correa

Alfonso Milá

2010



Code	Upholstered	
CAP00	Customer's fabric	905 €
CAP01	Kvadrat's fabric ^[1]	1.640 €

Beech wood legs with a wenge colour finish.

Plain fabric measures: 1,80 m / 1.97 yd long by 1,40 m / 1.53 yd wide.

^[1] **kvadrat** upholstery: HARARD-3 by Raf Simons, STAR 2, TONUS MEADOW and HERO.

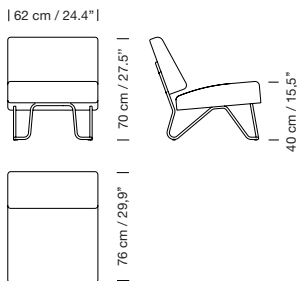
On special request also available in CMHR foam with a 5% price increase.



Ibiza Lounge Chair

Germán Rodríguez Arias

1957



Code	Upholstered	
IBB00	Customer's fabric	950 €
IBB01	Kvadrat's fabric ^[1]	1.165 €

Chrome-plated steel tube structure.

Plain fabric measures: 1,40 m / 1.53 yd long (70 cm / 0.76 yd seat and 70 cm / 0.76 yd back) and 1,40 m / 1.53 yd wide.

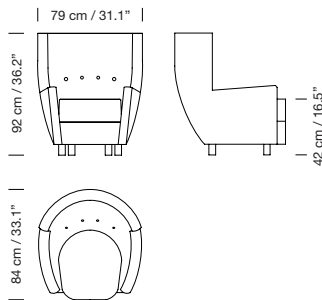
^[1] **kvadrat** upholstery: HARARD-3 by Raf Simons, STAR 2, TONUS MEADOW and HERO.

On special request also available in CMHR foam with a 5% price increase.



Moragas Armchair

Antoni de Moragas i Gallissà
1957



Code	Upholstered	
MOS00	Customer's fabric	1.570 €
MOS01	Kvadrat's fabric ^[1]	2.120 €

Beech legs with cherry wood colour finish.

Fabric measures: 5 m / 5.47 yd long by 1,40 m / 1.53 yd wide.

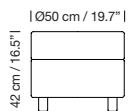
^[1] **kvadrat** upholstery: HARARD-3 by Raf Simons, STAR 2, TONUS MEADOW and HERO.

On special request also available in CMHR foam with a 5% price increase.

CE

Moragas ottoman

Antoni de Moragas i Gallissà
1957



Code	Upholstered	
MOP00	Customer's fabric	415 €
MOP01	Kvadrat's fabric ^[1]	625 €

Beech legs with cherry wood colour finish.

Fabric measures: 2 m / 2.19 yd long by 1,40 m / 1.53 yd wide.

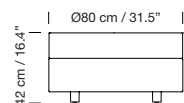
^[1] **kvadrat** upholstery: HARARD-3 by Raf Simons, STAR 2, TONUS MEADOW and HERO.

On special request also available in CMHR foam with a 5% price increase.

CE

Large Moragas ottoman

Antoni de Moragas i Gallissà
1957



Code	Upholstered	
MOP10	Customer's fabric	575 €
MOP11	Kvadrat's fabric ^[1]	935 €

Beech legs with cherry wood colour finish.

Fabric measures: 3 m / 3.28 yd long by 1,40 m / 1.53 yd wide.

^[1] **kvadrat** upholstery: HARARD-3 by Raf Simons, STAR 2, TONUS MEADOW and HERO.

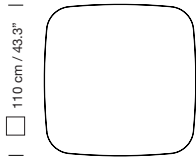
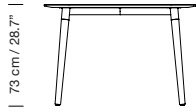
On special request also available in CMHR foam with a 5% price increase.

CE

Belloch cuadrada

Lagranja Design

2009

**Code Description**

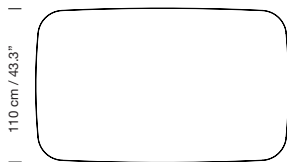
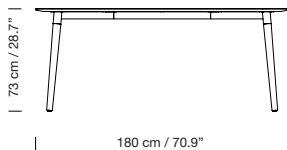
BEM11	White metallic structure with natural beech wood legs Color Core white colour top	1.020 €
--------------	--	----------------

CE

Belloch rectangular

Lagranja Design

2009

**Code Description**

BEM21	White metallic structure with natural beech wood legs Color Core white colour top	1.445 €
--------------	--	----------------

CE

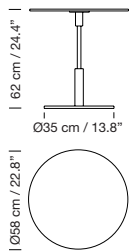
Diana alta

Federico Correa

Alfonso Milá

Miguel Milá

1996



Code	Description	
DIA01	Satin nickel structure Safety glass top	620 €

CE

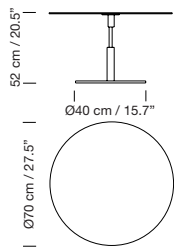
Diana baja

Federico Correa

Alfonso Milá

Miguel Milá

1996



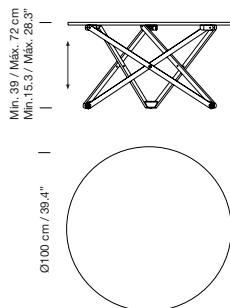
Code	Description	
DIA02	Satin nickel structure Safety glass top	680 €

CE

Subeybaja

Robert Heritage, Roger Webb

1979



Code	Structure and top	
SUB03	Natural oak	835 €
SUB05	Black oak	835 €

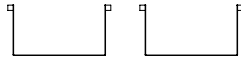
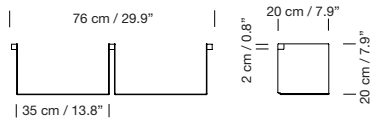
Adjustable to 7 heights, from 39 cm / 15.3" to 72 cm / 28.3".

CE

Noa

Carne Pinós

2007

**Code Structure (2 units)**

NOA21	Grey	165 €
NOA22	White	165 €

2 metal structure shelves.

20 cm / 7.9" depth.

Each shelf can bear a maximum load of 20kg.

The maximum load may vary depending on the type of wall it is fitted to.

Shelving unit weight: 5kg / 11lb.



Classification and regulations

EC Regulations

CE

This marking on products in this catalogue indicates that they have been designed and produced in accordance with relevant applicable European directives and regulations. It is a guarantee of health and safety and the right to market these products freely in the Member States of the European Union, as proven by the corresponding CE declaration of conformity.

The main directives of the European Parliament and of the Council applied are:

- Directive 2014/35/UE, de 26 de February de 2014 (relating to electrical equipment designed for use within certain voltage limits).
- Directive 2014/30/UE, de 26 de February de 2014 (relating to electromagnetic compatibility).

I.E.E. (Energy efficiency index)

Pursuant to EU Directive 2013/30/EU and Commission Delegated Regulation (EU) 874/2012 of 12 July 2012 with regard to the energy labelling of electrical lamps and luminaires, these must have an energy label. The label classifies lamps and luminaires according to seven energy efficiency categories, from the most efficient (A++) to the least efficient (E).

UL

The UL certification process of our products entails a review of the design, production, testing, development and supervision in the factory, with regard to compliance of the product with the national safety standards of the US and Canada.

The consumers, retailers, insurers, distributors and regulators of these countries recognise and trust the UL mark as indicating a product with a safety symbol. Please look at our products in the catalogue and on the website.



Classification and regulations

Classification of luminaires

CE

· Luminaire classification according to protection against electrical shock:

CLASE I. In addition to being electrically insulated, these luminaires are also provided with an earthing point.



CLASE II. These luminaires have either double or reinforced insulation so that exposed metal parts cannot become live.



CLASE III. Protection against electrical shock relies on supply at Safety Extra-Low Voltage.



· Classification according to the flammability of the support surface:

According to current legislation, luminaires can be mounted on flammable or non-flammable surfaces. Luminaires that are suitable for mounting on non-flammable surfaces do not require a symbol. Luminaires that are not suitable for mounting on normally non-flammable surfaces require a symbol according to the type of luminaire (in accordance with Figure 1 of European Standard EN 60598-1).

· Classification according to conditions of use:

Luminaires must be classified according to their intended conditions of use. Luminaires for normal use do not require a symbol, whereas luminaires designed for use in severe conditions require a symbol (in accordance with Figure 1 of European Standard EN 60598-1).

UL

Our luminaires are classified according to UL standards regarding the maximum voltages and powers assigned to the luminaire: Class 2 and non-Class 2.

Classification and regulations

Ingress Protection Classification CE

The Ingress Protection system (IP) defines various degrees of protection against the ingress of foreign bodies and moisture. It is indicated by the IP prefix followed by two digits, the first of which identifies degree of protection against the ingress of solid particles and the second against the ingress of liquids (IEC 529- EN 60529).

Primera cifra:

IP 0 - No protection.

IP 1 - Protected against solid objects > 50 mm.

IP 2 - Protected against solid objects > 12 mm.

IP 3 - Protected against solid objects > 2.5 mm.

IP 4 - Protected against the solid objects of 1 mm.

IP 5 - Protected against dust.

IP 6 - Protected against dust (totally).

Second digit:

IP - 0 No protection.

IP - 1 Protected against water falling vertically.

IP - 2 Protected against direct water drips up to 15° from vertical.

IP - 3 Protected against direct sprays up to 60° from vertical.

IP - 4 Protected against sprays from all directions

IP - 5 Protected against low-pressure jets from all directions.

IP - 6 Protected against high-pressure jets from all directions.

IP - 7 Protected against immersion between 15 cm and 1 m.

IP - 8 Protected against immersion under pressure.

Classification according to environmental location

Our luminaires are classified according to UL standards. There are three types of environmental location marking:

· Dry locations:

Intended for use in a location not normally subject to dampness, but may include a location subject to temporary dampness, as in the case of a building under construction, provided ventilation is adequate to prevent an accumulation of moisture is marked.

· Damp locations:

A damp location is an exterior or interior location that is normally or periodically subject to condensation of moisture in, on, or adjacent to, electrical equipment, and includes partially protected locations.

· Wet locations:

A wet location is a location in which water or other liquids may drip, splash or flow on or against electrical equipment.

Company certificates

Santa & Cole is a socially responsible organisation and we comply with the laws and social standards of the countries in which we sell and manufacture our products. We continuously assess our practices to ensure they are sustainable, striking a balance between current economic, environmental and social needs without compromising the prospects of future generations. Santa & Cole is committed to respecting human rights and to fostering safe and healthy working conditions and green production practices, both in our own organisation and among our partners.

Quality Management System

ISO 9001 is the most widely recognised international standard to indicate the quality commitment of an entire company through its products or services, certified through an auditable system.



Environmental Management System

ISO 14001 ISO 14001 is the international standard on environmental management devised to ensure a balance between the profitability and environmental impact mitigation of our activities.



General conditions of sale

All commercial relations between Santa & Cole Neoseries S.L. (hereinafter S&C), and its customers shall be governed by the following General Conditions of Sale, which shall govern the commercial sale and which shall be understood to be fully binding merely by placing an order with S&C.

Our acceptance of an order means, in any case, that the purchaser accepts the following general conditions of sale and supply.

S&C reserves the right not to sell to certain points of sale in accordance with its commercial policy and with the commercial agreements that it maintains with its registered distributors for each product line (urban, indoor or forestry elements or books). For detailed knowledge of the same please CONSULT our Commercial Department.

1. ORDERS

1.1. For Catalogue Products

The orders must be made IN WRITING, either by ordinary mail, e-mail or fax.

The order should specify:

- Physical details of the purchaser.
- Code, quantity and valuation of the products requested, in accordance with the quotation received if appropriate.
- For upholstery products, reference of the fabric selected.

1.2. For Customized Products

The technical documentation necessary to allow the correct definition of the product should be added to the requirements of section 1, whether it is a question of special products, modifications of catalogue products or finishes other than standard.

Enquiries are always without commitment. 48 hours after receipt of the order, THE CUSTOMER cannot cancel this order without the express written approval of S&C.

The delivery terms given by S&C are purely for informative purposes. Delays in delivery do not authorize the purchaser to cancel the order or to apply penalties or indemnities, unless expressly agreed otherwise in writing. Even in this case, if for reasons of force majeure, affecting either S&C or its suppliers, S&C cannot fulfil any of the commitments taken on, no sanction shall be applied.

1.3. Light sources

No discounts apply to light sources. Prices subject to standard rates.

2. CATALOGUE

The technical information provided by S&C on its products in relation to models, sizes, materials and characteristics is for GUIDANCE only and does not legally bind S&C to strictly comply with it and can be modified without prior notice.

3. PRICES

The sale prices are governed by the current Price List in force, which cancels any previous one and may be modified by S&C without prior notice. VAT (Value Added Tax) applicable in Spain (which is 4% on Books and 21% on the other products, except in the event of legal modification of the applicable rates) IS NOT INCLUDED in the prices indicated.

In any case the prices applied shall be those which appear on the pro forma invoice or on the order.

4. WARRANTY

The warranty for all S&C products is that established by law, in accordance with the legislation in force, for any defect attributable to the manufacture, provided that this defect does not arise from inadequate installation or use, in which case the warranty shall not apply. The warranty covers the replacement of the material and the carriage, and the expenses or special packaging which this replacement could generate shall be for the account of the customer.

For those products which S&C distributes but does not produce, the warranty covering the products delivered is limited to that issued by the manufacturer.

5. TRANSPORT AND DELIVERY

All goods sold are understood to be at the disposal of the customer in the warehouses of S&C in Cardedeu (Barcelona), the damage and losses which, if appropriate, could occur to goods from the time of delivery to the haulier being FOR THE ACCOUNT OF THE PURCHASER.

The carriage of the goods shall always be for the account and risk of the purchaser (carriage forward). Even if S&C hires the transport, and even if it refunds the customer all or part of this amount through sales discounts on the price of the goods, this does not under any circumstance represent an impairment or derogation of the preceding paragraphs, or the tacit or express acceptance of the account or of the risks arising from the transport.

If the transport agency desired by the customer is not explicitly notified, both if it is carriage paid and carriage forward, S&C will send the order with the products requested by the agency which seems most appropriate for the shipment.

General conditions of sale

6. SPECIAL PACKAGING

If special packaging (wood or other) is required, the corresponding cost shall be charged separately to the customer.

7. CLAIMS AND RETURNS

The customer shall be entitled to make a claim against S&C, due to a defect in the quantity or quality of the goods received, in accordance with the Spanish legislation in force.

Under no circumstances shall S&C be responsible for defects of the products or for injury caused to the customer or to third parties, when attributable to their installation or to their incorrect use.

In order to be able to present these claims, we have made available a direct telephone number (+34 938 619 100) and an e-mail address: aftersales@santacole.com.

In order to be able to attend to the incidents quickly, it is essential to indicate the invoice no. or the delivery note no. from which they originate.

For S&C to be able to collaborate on any claim that the customer wishes to make against the haulier due to incidents directly attributable to the transport, the customer should clearly indicate these incidents on the haulier's delivery note. If this is not done, S&C will not be able to collaborate on any claim against the haulier by the customer.

Product returns are not accepted, except with the express written consent of S&C. In this case, and if the material is received in perfect condition and with its original packaging, 15% of the net value of the product shall be charged as depreciation. If the material is not received in perfect condition and with its original packaging, S&C shall assess the damage to the product being returned and shall apply a higher depreciation adjusted to the condition of this material.

The transport cost for the return and corresponding to sending the replacement product shall always be for the account of the customer.

8. CONDITIONS OF PAYMENT

The payment of the total price of our goods must be made in cash by bank transfer to the account determined by S&C on its pro forma invoice.

In order to be able to take advantage of a delay in the payment it is necessary to be assigned a credit limit by S&C. Please contact our Commercial Department.

In the event of the sale of customized products, the minimum conditions of payment shall be 50% on confirmation of the order and the rest to be agreed by the two parties.

A delay in relation to the payment dates agreed leads to the automatic cancellation of the credit.

9. ON-LINE SHOP

For further information about sales conditions of our products through the on-line shop, please go to General Conditions of On-Line Sale to be found at www.santacole.com

10. OWNERSHIP OF THE PRODUCTS

The products will continue to be owned by S&C until payment has been made in full.

11. DEFENCE OF INTELLECTUAL PROPERTY

The designs of the products appearing in the catalogues of S&C, and these catalogues themselves, are protected by the national and international Laws and Treaties on Intellectual and Industrial Property. Any unauthorized use of them constitutes an infringement of the above-mentioned rules, and a crime which can be punished in accordance with penal laws.

Consequently, it is strictly forbidden to manufacture, fix, reproduce, translate, distribute, publicly communicate, place at the disposal of the public and/or totally or partially transform these designs and/or the catalogues, in addition to any other act of exploitation in relation to them, without the prior written permission of the owners of these rights.

S&C holds the ownership of the rights over its trademarks.

Their use is consequently totally forbidden, without the corresponding prior written permission of S&C. Non-fulfilment of this obligation and the consequent infringement of the trademark rights shall likewise entail a civil and, if appropriate, criminal prosecution of these infringements, in accordance with the national and international Laws and Treaties in force.

12. APPLICABLE LAW AND JURISDICTION

The sales are subject to Spanish commercial legislation.

Any matter giving rise to a lawsuit shall be submitted to the Courts and Tribunals of the city of Barcelona (Spain), with express renunciation by the parties of their own jurisdiction, if different.



HEADQUARTERS

Parc de Belloch
Ctra. C-251, Km 5,6
E-08430 La Roca (Barcelona)
T. +34 938 619 100
F. +34 938 711 767
info@santacole.com
www.santacole.com

SALES

Spain
ventas@santacole.com

International

internationalsales@santacole.com

AFTER SALES

Spain
postventa@santacole.com

International

aftersales@santacole.com

INTERNATIONAL OFFICES

US offices

Northeast Area Sales Manager
New York, NY
Cindy Rossell
T. +1 347 852 0810
cindy.rossell@santacole.com

Central and Southeast Area Sales Manager
Austin, TX
Samuel Ciauriz
T. +1 512 620 2096
samuelc@santacole.com

West Coast Area Sales Manager
Los Angeles, CA
Jordi Nadal
T. +1 424 303 3010
jordi.nadal@santacole.com

US – General inquiries
usinfo@santacole.com

UK offices

T. +44 (0) 7596 831 942
london.uk@santacole.com

Follow us

Facebook, Twitter, Instagram,
Pinterest: @santacole

Price List updated on January 2019.

Santa & Cole reserves the right to change prices as necessary.

Excite with simplicity